

# CLASSIC 85 PUMP SERIES SPECIFICATIONS

# STENNER PUMPS

## SINGLE HEAD ADJUSTABLE OUTPUT

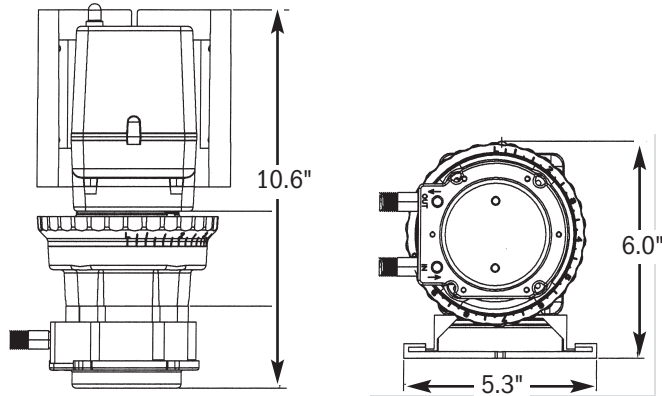


### 100 psi (6.9 bar) MODELS

- 85MHP5
- 85MHP17
- 85MHP40

### 25 psi (1.7 bar) MODELS

- 85M1
- 85M2
- 85M3
- 85M4
- 85M5



SHIPPING WEIGHT 9 lbs (4 kg)

## SINGLE HEAD FIXED OUTPUT

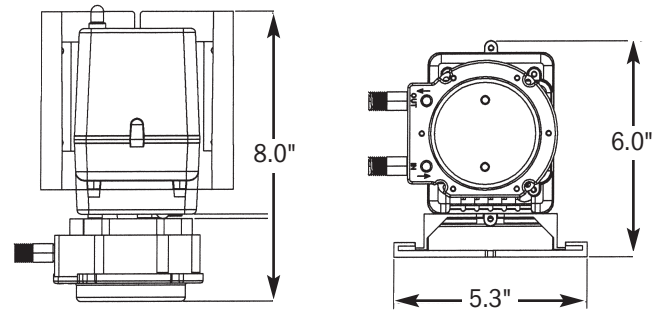


### 100 psi (6.9 bar) MODELS

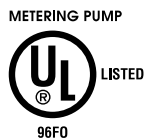
- 85MPHP5
- 85MPHP17
- 85MPHP40

### 25 psi (1.7 bar) MODELS

- 85MP1
- 85MP2
- 85MP3
- 85MP4
- 85MP5



SHIPPING WEIGHT 8 lbs (3.6 kg)



Product listings vary by model. Contact factory for details.

## FEATURES

- 3-point roller design assists in anti-siphon protection
- Pump head requires no valves, allows for easy maintenance
- Self-priming against maximum working pressure, foot valve not required
- Pump does not lose prime or vapor lock
- Pumps off-gassing solutions and can run dry
- Output volume is not affected by back pressure
- Injection check valve included with models rated up to 100 psi (6.9 bar)
- Easy to change pump tube; lubrication is not required
- Pump tubes and pump heads interchange between models
- Models tested by Water Quality Association to conform to ANSI/NSF STD 61 (Santoprene® only)
- Adjustable models tested by ETL to conform to ANSI/NSF STD 50
- All pump accessories included allow a fast and easy installation



Stenner Pump Company  
3174 DeSalvo Road  
Jacksonville, Florida 32246 USA

Phone  
US Toll Free  
Fax

904.641.1666  
800.683.2378  
904.642.1012

www.stenner.com  
sales@stenner.com

© Stenner Pump Company All Rights Reserved

# CLASSIC 85 PUMP SERIES SPECIFICATIONS

# STENNER PUMPS

## OUTPUT CONTROL

Adjustable models only, external dial ring adjustment from 5%-100% in 2.5% increments

## MAXIMUM WORKING PRESSURE

**100 psi (6.9 bar)** 85MHP5, 85MHP17, 85MHP40, 85MPHP5, 85MPHP17, 85MPHP40

**25 psi (1.7 bar)** 85M1, 85M2, 85M3, 85M4, 85M5, 85MP1, 85MP2, 85MP3, 85MP4, 85MP5

## MAXIMUM OPERATING TEMPERATURE

125° F (52° C)

## MAXIMUM SUCTION LIFT

25 ft (7.6 m) vertical lift, based on water

## MOTOR TYPE

1/30 HP, shaded pole, class B

## APPROXIMATE GEAR MOTOR RPM

44

## DUTY CYCLE

Continuous

## MOTOR VOLTAGE (AMP DRAW)

120V 60Hz 1PH (1.7)

220V 60Hz 1PH (0.9)

230V 50Hz 1PH (0.9) *International*

250V 50Hz 1PH (0.9) *International*

## POWER CORD TYPE

SJTOW

## POWER CORD PLUG END

120V 60Hz NEMA 5/15

220V 60Hz NEMA 6/15

230V 50Hz CEE 7/VII

250V 50Hz CEE 7/VII

## MATERIALS OF CONSTRUCTION

**Peristaltic tube** Santoprene® and optional Tygothane®, FDA approved

**Tube fittings, compression nuts** Type 1 rigid PVC, NSF listed

**Suction strainer & weight** PP or Type 1 rigid PVC body with Type 1 rigid PVC cap, ceramic weight, NSF listed

**Suction/discharge tubing & ferrules** LDPE polyethylene, NSF and FDA approved

**Check valve (injection fitting & body)** Type 1 rigid PVC, NSF listed

**Check valve duckbill** Santoprene®, FDA approved  
Pellathane®† (with Tygothane®\*\* tube)

**All pump housings** Polycarbonate plastic

**Pump head rollers** HDPE

**Roller bushings** Oil impregnated sintered bronze

**All fasteners** Stainless steel

## ACCESSORY KIT SHIPPED WITH EACH PUMP

**3** connecting nuts 1/4" or 3/8"

**3** ferrules 1/4" or 6 mm *Europe*

OR 2 ferrules 3/8"

**1** injection check valve 100 psi (6.9 bar)

OR 1 injection fitting 25 psi (1.7 bar)

**1** weighted suction line strainer

1/4", 3/8" or 6 mm *Europe*

**1** 20' roll suction/discharge tubing

1/4" or 3/8" white or UV black

OR 6 mm white *Europe*

**1** spare pump tube

**1** mounting bracket

**1** manual

\* Santoprene® is a registered trademark of Exxon Mobil Corporation.

\*\* Tygothane® is a registered trademark of Saint-Gobain Performance Plastics.

† Pellathane® is a registered trademark of The Dow Company.

## 85 SERIES PUMP ADJUSTABLE OUTPUT

Approximate Outputs @ 60Hz

Approximate Outputs @ 50Hz

Single Head Model	Maximum Pressure	Pump Tube Number	Approximate Outputs @ 60Hz						Approximate Outputs @ 50Hz		
			Gallons per Day	Liters per Day	Gallons per Hour	Liters per Hour	Ounces per Minute	Milliliters per Minute	Liters per Day	Liters per Hour	Milliliters per Minute
85MHP5* 85M1	100 psi (6.9 bar) 25 psi (1.7 bar)	#1 #1	0.3 to 5.0	1.1 to 18.9	0.01 to 0.21	0.05 to 0.79	0.03 to 0.44	0.76 to 13.13	0.9 to 15.1	0.04 to 0.63	0.52 to 10.49
85MHP17* 85M2	100 psi (6.9 bar) 25 psi (1.7 bar)	#2 #2	0.8 to 17.0	3.0 to 64.4	0.03 to 0.71	0.13 to 2.68	0.07 to 1.51	2.08 to 44.65	2.4 to 51.5	0.10 to 2.15	1.67 to 35.76
85MHP40* 85M3	100 psi (6.9 bar) 25 psi (1.7 bar)	#7 #3	2.0 to 40.0	7.6 to 151.4	0.08 to 1.67	0.32 to 6.31	0.18 to 3.55	5.27 to 105.14	6.1 to 121.1	0.25 to 5.05	4.24 to 84.10
85M4	25 psi (1.7 bar)	#4	3.0 to 60.0	11.4 to 227.1	0.13 to 2.50	0.48 to 9.46	0.27 to 5.33	7.92 to 157.71	9.1 to 181.7	0.38 to 7.57	6.32 to 126.18
85M5	25 psi (1.7 bar)	#5	4.3 to 85.0	16.3 to 321.8	0.18 to 3.54	0.68 to 13.40	0.38 to 7.55	11.32 to 223.40	13.0 to 257.4	0.54 to 10.73	9.03 to 178.75

## 85 SERIES PUMP FIXED OUTPUT

Approximate Outputs @ 60Hz

Approximate Outputs @ 50Hz

Single Head Model	Maximum Pressure	Pump Tube Number	Approximate Outputs @ 60Hz						Approximate Outputs @ 50Hz		
			Gallons per Day	Liters per Day	Gallons per Hour	Liters per Hour	Ounces per Minute	Milliliters per Minute	Liters per Day	Liters per Hour	Milliliters per Minute
85MPHP5* 85MP1	100 psi (6.9 bar) 25 psi (1.7 bar)	#1 #1	5.0	18.9	0.21	0.79	0.44	13.13	15.1	0.63	10.49
85MPHP17* 85MP2	100 psi (6.9 bar) 25 psi (1.7 bar)	#2 #2	17.0	64.4	0.71	2.68	1.51	44.65	51.5	2.15	35.76
85MPHP40* 85MP3	100 psi (6.9 bar) 25 psi (1.7 bar)	#7 #3	40.0	151.4	1.67	6.31	3.55	105.14	121.1	5.05	84.10
85MP4	25 psi (1.7 bar)	#4	60.0	227.1	2.50	9.46	5.33	157.71	181.7	7.57	126.18
85MP5	25 psi (1.7 bar)	#5	85.0	321.8	3.54	13.40	7.55	223.40	257.4	10.73	178.75

\*Injection check valve included with pumps rated up to 100 psi (6.9 bar).

**NOTICE:** The information within this chart is solely intended for use as a guide. The output data is an approximation based on pumping water under a controlled testing environment. Many variables can affect the output of the pump. Stenner Pump Company recommends that all metering pumps undergo field calibration by means of analytical testing to confirm their outputs. The information contained in this flyer is not intended for specific application purposes. Stenner Pump Company reserves the right to make changes to prices, products, and specifications at any time without prior notice.