

CLASSIC 45 PUMP SERIES SPECIFICATIONS

STENNER PUMPS

SINGLE HEAD ADJUSTABLE OUTPUT

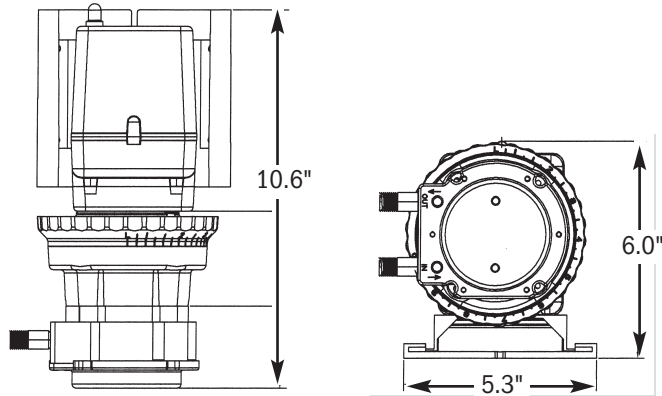


100 psi (6.9 bar) MODELS

- 45MHP2
- 45MHP10
- 45MHP22

25 psi (1.7 bar) MODELS

- 45M1
- 45M2
- 45M3
- 45M4
- 45M5



SHIPPING WEIGHT 9 lbs (4 kg)

SINGLE HEAD FIXED OUTPUT

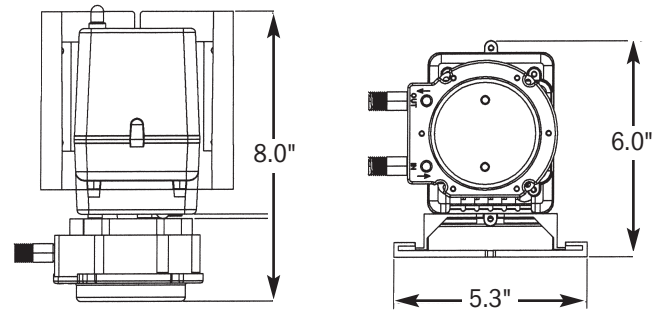


100 psi (6.9 bar) MODELS

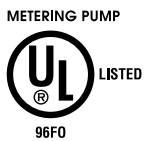
- 45MPHP2
- 45MPHP10
- 45MPHP22

25 psi (1.7 bar) MODELS

- 45MP1
- 45MP2
- 45MP3
- 45MP4
- 45MP5



SHIPPING WEIGHT 8 lbs (3.6 kg)



Product listings vary by model. Contact factory for details.

FEATURES

- 3-point roller design assists in anti-siphon protection
- Pump head requires no valves, allows for easy maintenance
- Self-priming against maximum working pressure, foot valve not required
- Pump does not lose prime or vapor lock
- Pumps off-gassing solutions and can run dry
- Output volume is not affected by back pressure
- Injection check valve included with models rated up to 100 psi (6.9 bar)
- Easy to change pump tube; lubrication is not required
- Pump tubes and pump heads interchange between models
- Models tested by Water Quality Association to conform to ANSI/NSF STD 61 (Santoprene® only)
- Adjustable models tested by ETL to conform to ANSI/NSF STD 50
- All pump accessories included allow a fast and easy installation



Stenner Pump Company
3174 DeSalvo Road
Jacksonville, Florida 32246 USA

Phone
US Toll Free
Fax

904.641.1666
800.683.2378
904.642.1012

www.stenner.com
sales@stenner.com

© Stenner Pump Company All Rights Reserved

CLASSIC 45 PUMP SERIES SPECIFICATIONS



OUTPUT CONTROL

Adjustable models only, external dial ring adjustment from 5%-100% in 2.5% increments

MAXIMUM WORKING PRESSURE

100 psi (6.9 bar) 45MHP2, 45MHP10, 45MHP22, 45MPHP2, 45MPHP10, 45MPHP22

25 psi (1.7 bar) 45M1, 45M2, 45M3, 45M4, 45M5, 45MP1, 45MP2, 45MP3, 45MP4, 45MP5

MAXIMUM OPERATING TEMPERATURE

125° F (52° C)

MAXIMUM SUCTION LIFT

25 ft (7.6 m) vertical lift, based on water

MOTOR TYPE

1/30 HP, shaded pole, class B

APPROXIMATE GEAR MOTOR RPM

26

DUTY CYCLE

Continuous

MOTOR VOLTAGE (AMP DRAW)

120V 60Hz 1PH (1.7)

220V 60Hz 1PH (0.9)

230V 50Hz 1PH (0.9) *International*

250V 50Hz 1PH (0.9) *International*

POWER CORD TYPE

SJTOW

POWER CORD PLUG END

120V 60Hz NEMA 5/15

220V 60Hz NEMA 6/15

230V 50Hz CEE 7/VII

250V 50Hz CEE 7/VII

MATERIALS OF CONSTRUCTION

Peristaltic tube Santoprene®* and optional Tygothane®**, FDA approved

Tube fittings, compression nuts Type 1 rigid PVC, NSF listed

Suction strainer & weight PP or Type 1 rigid PVC body with Type 1 rigid PVC cap, ceramic weight, NSF listed

Suction/discharge tubing & ferrules LDPE polyethylene, NSF and FDA approved

Check valve (injection fitting & body) Type 1 rigid PVC, NSF listed

Check valve duckbill

Santoprene®, FDA approved

Pellathane®† (with Tygothane®** tube)

All pump housings Polycarbonate plastic

Pump head rollers HDPE

Roller bushings Oil impregnated sintered bronze

All fasteners Stainless steel

ACCESSORY KIT SHIPPED WITH EACH PUMP

3 connecting nuts 1/4" or 3/8"

3 ferrules 1/4" or 6 mm *Europe*

OR 2 ferrules 3/8"

1 injection check valve 100 psi (6.9 bar)

OR 1 injection fitting 25 psi (1.7 bar)

1 weighted suction line strainer

1/4", 3/8" or 6 mm *Europe*

1 20' roll suction/discharge tubing

1/4" or 3/8", white or UV black

OR 6 mm white *Europe*

1 spare pump tube

1 mounting bracket

1 manual

* Santoprene® is a registered trademark of Exxon Mobil Corporation.

** Tygothane® is a registered trademark of Saint-Gobain Performance Plastics.

† Pellathane® is a registered trademark of The Dow Company.

45 SERIES PUMP ADJUSTABLE OUTPUT

| Single Head Model | Maximum Pressure | Pump Tube Number | Approximate Output @ 60Hz | | | | | | Approximate Output @ 50Hz | | |
|-------------------|---------------------------------------|------------------|---------------------------|----------------|------------------|-----------------|-------------------|------------------------|---------------------------|-----------------|------------------------|
| | | | Gallons per Day | Liters per Day | Gallons per Hour | Liters per Hour | Ounces per Minute | Milliliters per Minute | Liters per Day | Liters per Hour | Milliliters per Minute |
| 45MHP2* 45M1 | 100 psi (6.9 bar) 25 psi (1.7 bar) | #1 #1 | 0.2 to 3.0 | 0.8 to 11.4 | 0.01 to 0.13 | 0.03 to 0.48 | 0.02 to 0.27 | 0.56 to 7.92 | 0.6 to 9.1 | 0.03 to 0.38 | 0.31 to 6.32 |
| 45MHP10* 45M2 | 100 psi (6.9 bar) 25 psi (1.7 bar) | #2 #2 | 0.5 to 10.0 | 1.9 to 37.9 | 0.02 to 0.42 | 0.08 to 1.58 | 0.04 to 0.89 | 1.32 to 26.32 | 1.5 to 30.3 | 0.06 to 1.26 | 1.04 to 21.04 |
| 45MHP22* 45M3 | 100 psi (6.9 bar) 25 psi (1.7 bar) | #7 #3 | 1.1 to 22.0 | 4.2 to 83.3 | 0.05 to 0.92 | 0.18 to 3.47 | 0.10 to 1.96 | 2.92 to 57.85 | 3.3 to 66.6 | 0.14 to 2.78 | 2.29 to 46.25 |
| 45M4 | 25 psi (1.7 bar) | #4 | 1.7 to 35.0 | 6.4 to 132.5 | 0.07 to 1.46 | 0.27 to 5.52 | 0.15 to 3.11 | 4.44 to 92.01 | 5.1 to 106.0 | 0.21 to 4.42 | 3.54 to 73.61 |
| 45M5 | 25 psi (1.7 bar) | #5 | 2.5 to 50.0 | 9.5 to 189.3 | 0.10 to 2.08 | 0.40 to 7.89 | 0.22 to 4.44 | 6.60 to 131.43 | 7.6 to 151.4 | 0.32 to 6.31 | 5.28 to 105.14 |

45 SERIES PUMP FIXED OUTPUT

| Single Head Model | Maximum Pressure | Pump Tube Number | Approximate Output @ 60Hz | | | | | | Approximate Output @ 50Hz | | |
|--------------------|---------------------------------------|------------------|---------------------------|----------------|------------------|-----------------|-------------------|------------------------|---------------------------|-----------------|------------------------|
| | | | Gallons per Day | Liters per Day | Gallons per Hour | Liters per Hour | Ounces per Minute | Milliliters per Minute | Liters per Day | Liters per Hour | Milliliters per Minute |
| 45MPHP2* 45MP1 | 100 psi (6.9 bar) 25 psi (1.7 bar) | #1 #1 | 3.0 | 11.4 | 0.13 | 0.48 | 0.27 | 7.92 | 9.1 | 0.38 | 6.32 |
| 45MPHP10* 45MP2 | 100 psi (6.9 bar) 25 psi (1.7 bar) | #2 #2 | 10.0 | 37.9 | 0.42 | 1.58 | 0.89 | 26.32 | 30.3 | 1.26 | 21.04 |
| 45MPHP22* 45MP3 | 100 psi (6.9 bar) 25 psi (1.7 bar) | #7 #3 | 22.0 | 83.3 | 0.92 | 3.47 | 1.96 | 57.85 | 66.6 | 2.78 | 46.25 |
| 45MP4 | 25 psi (1.7 bar) | #4 | 35.0 | 132.5 | 1.46 | 5.52 | 3.11 | 92.01 | 106.0 | 4.42 | 73.61 |
| 45MP5 | 25 psi (1.7 bar) | #5 | 50.0 | 189.3 | 2.08 | 7.89 | 4.44 | 131.43 | 151.4 | 6.31 | 105.14 |

*Injection check valve included with pumps rated up to 100 psi (6.9 bar).

NOTICE: The information within this chart is solely intended for use as a guide. The output data is an approximation based on pumping water under a controlled testing environment. Many variables can affect the output of the pump. Stenner Pump Company recommends that all metering pumps undergo field calibration by means of analytical testing to confirm their outputs. The information contained in this flyer is not intended for specific application purposes. Stenner Pump Company reserves the right to make changes to prices, products, and specifications at any time without prior notice.