

# Figure 4



- Tubing: 1.90" OD and 1.50" OD
- Wall Thickness: .049", .065", .109", and .145"
- Type: 304, 316L\* stainless steel
- Bends: All 6" Radius
- F4H-102 is available in Powder Coating and SealedSteel, F4H-101 is available in powder coating

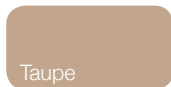
Model No.	Description	Shipping Wt.	L	W	H
F4H-100	Figure 4 Hand Rail .065 Wall Thickness	24 lbs.	39"	32"	4"
F4H-101	Figure 4 Hand Rail .049 Wall Thickness	19 lbs.	39"	32"	4"
F4H-102	Figure 4 Hand Rail	18 lbs.	39"	32"	4"
12053	Figure 4 Handrail, 1.50" O.D. .120" wall	24 lbs.	39"	32"	4"
10180	Figure 4 Handrail, 1.90" O.D. x .109" wall	38 lbs.	39"	32"	4"
10181	Figure 4 Handrail, 1.90" O.D. x .145" wall	48 lbs.	39"	32"	4"

#### NOTES:

Also available with adjustable front leg. For powder coated add -RG for Rock Gray, -PW for White, or -TP for Taupe to the part number when ordering. For SealedSteel add -VW for White, -VG for Pewter Gray, or -VT for Taupe to the part number when ordering.

Marine Grade, add -MG to part number when ordering. REQUIRED for salt pools

#### Powder Coated Colors



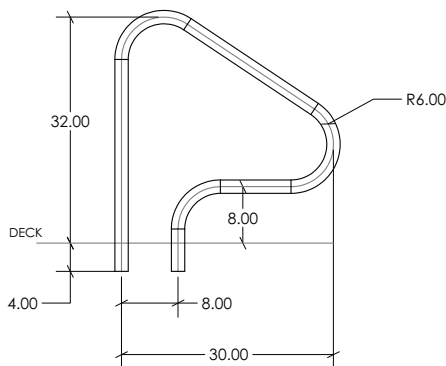
Actual product colors may vary

#### SealedSteel Colors



Actual product colors may vary

#### F4H-100



#### F4H-102

