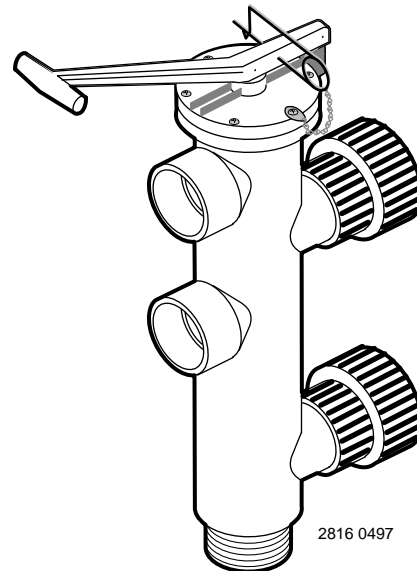
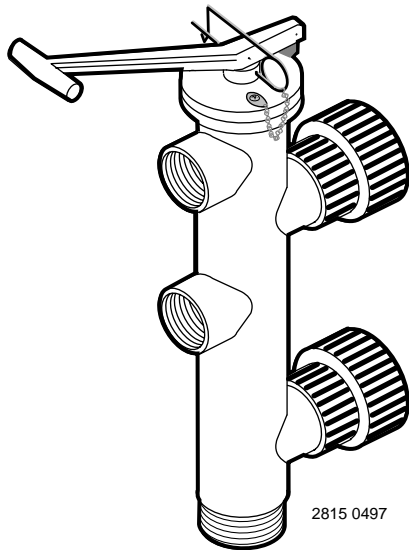


STA-RITE®

TWO POSITION SLIDE VALVES FOR POOL FILTERS

O W N E R ' S M A N U A L



INSTALLATION, OPERATION & PARTS

BRONZE VALVE MODELS

1-1/2" – WC212-135D

2" – WC212-136D

PLASTIC VALVE MODEL

2" – WC212-134P

This manual should be furnished to the end user of this valve; its use will reduce service calls and chance of injury and will lengthen valve life.

Sta-Rite Pool/Spa Group

293 Wright Street, Delavan, WI 53115

North America: 800-752-0183, FAX 800-582-2217

International: 414-728-5551, FAX: 414-728-4461, TELEX: ITT 4970245

Union City, TN • Delavan, WI • Mississauga, Ont. • Murrieta, CA

Printed in U.S.A. © 1998, Sta-Rite Industries, Inc.

S232 (Rev. 11/13/98)


TWO POSITION SLIDE VALVE


To avoid unneeded service calls, prevent possible injuries, and get the most out of your filter, READ THIS MANUAL CAREFULLY!

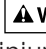
Table of Contents

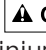
Safety Instructions	2
Outline Dimensions	3
General Information	3
Operation	4
Maintenance	4
Repair Parts List	5-6
Performance Curves	7
Warranty	8

READ AND FOLLOW ALL INSTRUCTIONS!

 This is the safety alert symbol. When you see this symbol on your system or in this manual, look for one of the following signal words and be alert to the potential for personal injury.

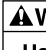
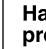
 **DANGER** warns about hazards that **will** cause death, serious personal injury, or major property damage if ignored.

 **WARNING** warns about hazards that **can** cause death, serious personal injury, or major property damage if ignored.

 **CAUTION** warns about hazards that **will** or **can** cause minor personal injury or property damage if ignored.

NOTICE indicates special instructions not related to hazards.

Carefully read and follow all safety instructions in this manual and on equipment. Keep safety labels in good condition; replace if missing or damaged.

 **WARNING** **Incorrectly installed or tested equipment may fail, causing severe injury or property damage.**
 **Hazardous pressure** Read and follow instructions in owner's manual when installing and operating equipment. Have a trained pool professional perform all pressure tests.

1. Do not connect system to a high pressure or city water system.
2. Use equipment only in a pool or spa installation.
3. Trapped air in system can cause explosion. BE SURE all air is out of system before operating or testing equipment.

Before pressure testing, make the following safety checks:

- Check all clamps, bolts, lids, and system accessories before testing.
- Release all air in system before testing.
- Tighten Sta-Rite trap lids to 30 ft. lbs. (4.1 kg-cm) torque for testing.
- Water pressure for test must be less than 25 PSI (172 kPa).
- Water Temperature for test must be less than 100° F. (38° C).
- Limit test to 24 hours. After test, visually check system to be sure it is ready for operation. Remove trap lid and retighten hand tight only.

NOTICE: These parameters apply to Sta-Rite equipment only. For non-Sta-Rite equipment, consult manufacturer.

OUTLINE DIMENSIONS

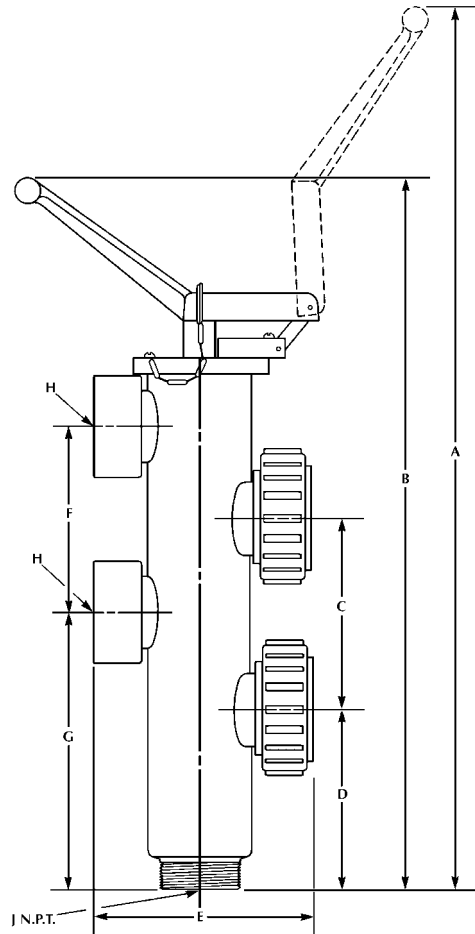


Figure 1

Model No.	Size	A	B	C	D	E	F	G	H Port	J Port
WC212-135D	1½	23⅞	18⅞	7.81	1.94	6.06	5.69	6.75	1½ NPT	1½ NPT
WC212-136D	2	24⅞	18⅞	7.81	2.44	5.85	5.75	7.31	2 NPT	2 NPT
WC212-134P	2	26⅞	20½	7.81	3.03	6.56	5.44	8.12	2 SLIP	2 NPT

GENERAL

Inspect valve upon receipt and file claim with carrier if parts are damaged or missing.

Valve may be used with Sta-Rite DE or sand filters. See Table I.

Mating half of unions are on filters shown on Table I.

TABLE I

Sta-Rite Filters	
DE Filters	Sand Filters
DEP36-01	HRP20-01
DEP51-01	HRP24-01
DEP83-01	HRP30-01
DES25-01	HRS16-01
DES51-01	HRS20-01
DES60-01	HRS24-01

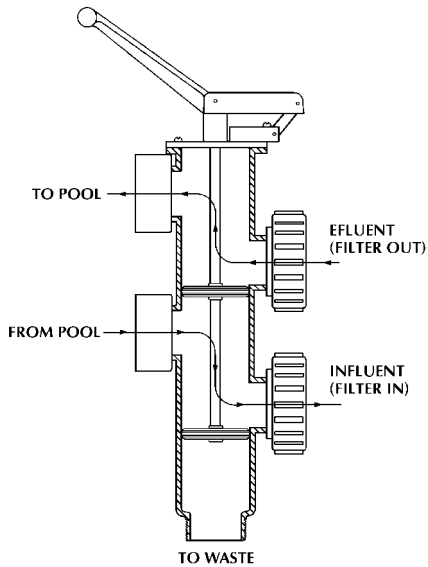


Figure 2 – “Filter” Position.
Water flow pattern shown with valve handle in fully depressed position.

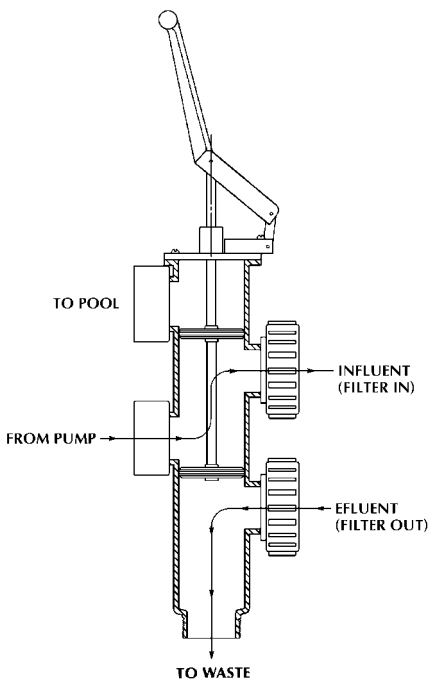


Figure 3 – “Backwash” Position.
Water flow pattern shown with valve handle in fully extended position.

OPERATION

Valves are two position valves. Valve handle must be fully extended or fully depressed. There is no in between, or throttling position. Connect center port to pump.

With valve stem depressed, (Figure 2), pump water is directed to bottom filter port. Top filter port is open to upper discharge. Lower discharge is idle.

With valve stem extended, (Figure 3), pump water is directed to top filter port. Bottom port is open to lower discharge.

MAINTENANCE

Filter Control Valve (Slide Valve):

Turn Pump OFF Before Proceeding.

1. Inspect bi-yearly. Check for ease of operation. If handle is difficult to move, follow steps 2 through 6 below.
2. Disassemble valve:
 - A. Remove three screws in index plate.
 - B. Remove piston assembly using a straight upward pull. Rotate assembly slightly for easy removal.
3. Inspect O-Ring for nicks, cuts, cracks, etc. Replace if necessary.
4. Inspect valve seating areas for grooves, nicks, etc. Remove any corrosion by sanding with No. 400 wet or dry emery cloth, using it wet.

NOTICE: Sand lightly so as not to destroy the seating area.
5. Lubricate O-Rings with Aqua-Lube¹ grease or petroleum jelly, before reassembling valve.
6. Reassemble valve:
 - A. Insert piston assembly into valve body.
 - B. Replace three screws loosely.
 - C. Lift the valve handle into “BACKWASH” position. This will center the index plate with the piston shaft and valve bore.
 - D. Tighten three screws securely.
 - E. Place the piston assembly into the “FILTER” position. It should slide easily. If not, repeat above until piston moves freely.

Winterizing For Freezing Climates:

Place valve handle in an intermediate position, between “FILTER” and “BACKWASH” positions.

CONNECTING SLIDE VALVE TO FILTER SYSTEM

NOTICE: Filter ports and valve ports are furnished with union connections, matching the connections of the filter ports. DO NOT use pipe sealants on union collar (nut).

Use care before assembly not to damage union sealing surfaces or O-Ring. Install union O-Rings in groove; tighten union collar hand tight.

FOR SLIP FITTINGS: Use correct solvent/cement when fitting piping or adapters to slide valve. The valve body is ABS plastic, thus any good quality ABS to PVC solvent can be used, such as Weld-On #793 or #710. Use P-70 (purple) primer on PVC components only. Allow a minimum of four hours drying time prior to pressure testing or operation. If ABS adapters are glued into valve ports in lieu of PVC fittings, use Weld-On Solvent #771, #1707 or #773.

▲ WARNING To avoid serious personal injury or property damage, follow cement manufacturer’s instructions exactly.

FOR THREADED FITTINGS: Use Plasto-Joint Stik² only. Other substances may degrade plastic and create poor joints and leaks.

NOTICE: Do not overtighten.

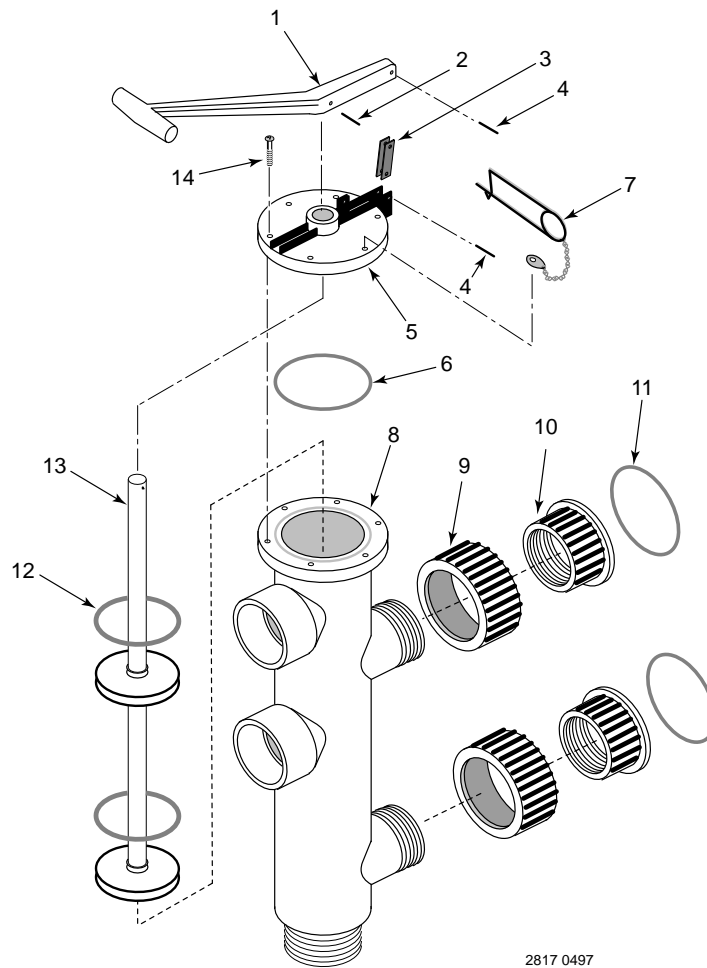
¹ Far Best Co., Los Angeles, CA

² Lake Chemical Co., Chicago, IL

REPAIR PARTS LIST

Plastic Valve

Model WC212-134P



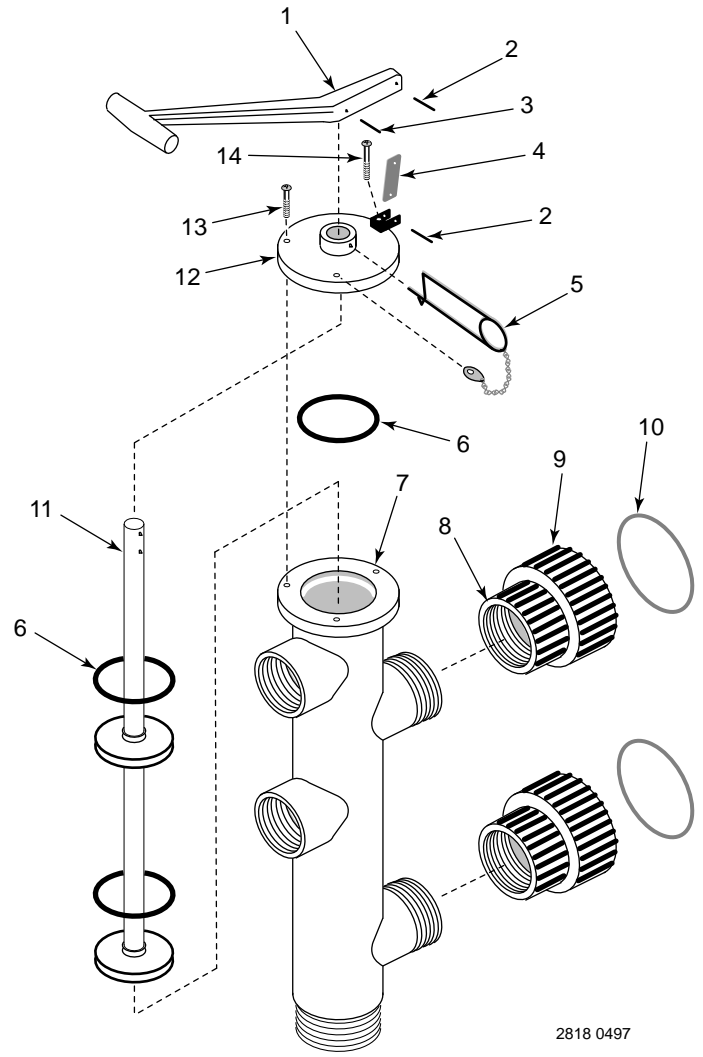
2817 0497

Key No.	Description	Qty.	Model WC212-134P
1	Handle	1	} Kit #14930-0031
2	Spring Pin	1	
3	Lever Linkage	2	
4	Spring Pin	2	
4	Spring Pin	2	} Kit #14930-0032
5	Index Plate (includes O-Ring)*	1	
6	O-Ring (available Separately)	1	35505-1246
7	Lock Pin Assembly	1	WC30-84
8	Body Assembly	1	WC112-134P*
9	Union Collar	2	U11-200P
10	Union Adapter Assembly	2	U11-199P
11	O-Ring	2	U9-362
12	O-Ring**	2	} Kit #14930-0033
13	Molded Piston Assembly	1	
14	Screw	6	37107-0085
*	Index Plate O-Ring	1	35505-1116
**	O-Ring (available Separately)	2	35505-1318

• Not illustrated.

* Not sold separately.

REPAIR PARTS LIST
Bronze Valve
1½" - WC212-135D
2" - WC212-136D



2818 0497

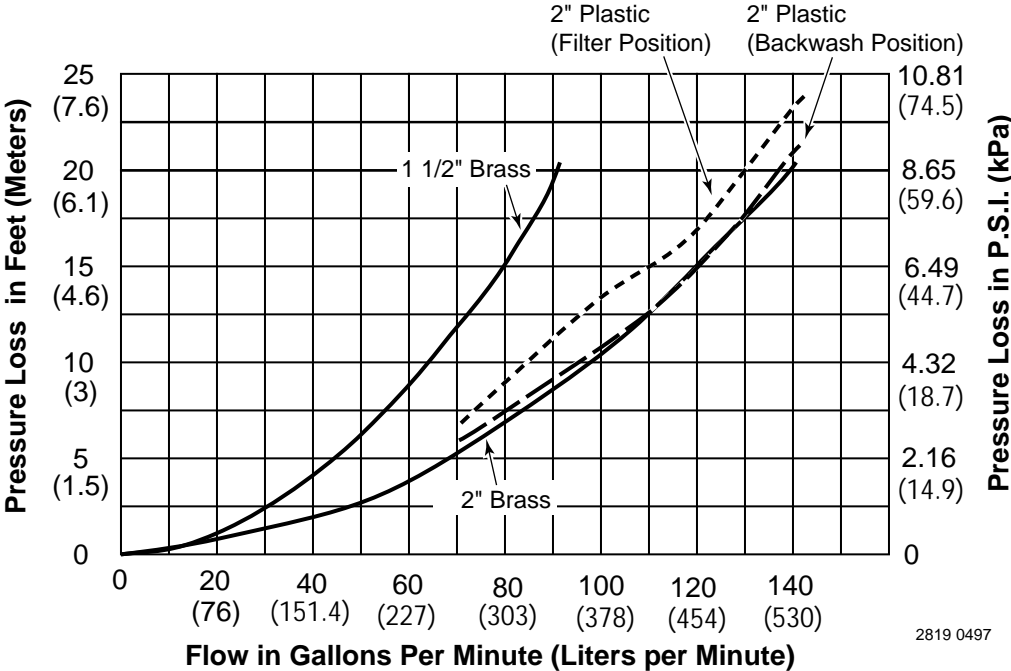
Key No.	Description	Qty.	Model WC212-135D	Model WC212-136D
1	Lever Handle	1	14821-0005	14821-0005
2	Spring Pin	2	35817-0056	35817-0056
3	Spring Pin	1	35817-0061	35817-0061
4	Linkage	2	14821-0008	14821-0008
5	Lock Pin Assembly	1	WC30-84	WC30-84
6	O-Ring	3	35505-1401	35505-1313
7	Valve Body	1	WC112-135D	WC112-136D
8	Union Adapter	2	38405-4089	U11-199P
9	Union Collar	2	U11-200P	U11-200P
10	O-Ring	2	U9-362	U9-362
11	Piston Assembly	1	14819-0011	14823-0011
12	Index Plate	1	14821-0007	14823-0016
13	Screw	2	37062-0130	37062-0130
14	Screw	1	37062-0134	37062-0134
•15	Index Plate O-Ring	1	35505-1116	35505-1116
*	Handle Replacement Kit	1	14821-0067	14824-0067

• Not illustrated.
 * Includes Key Nos. 1, 2, 4, 6, 12, 13, 14 and 15.

Performance Curves

Five Port Quick Position Valves

NOTE: Curves represent total loss of both halves of valve (double pass thru valve).



STA-RITE LIMITED WARRANTY

Pumps, filters, skimmers, underwater lights (except bulbs), accessories and fittings manufactured by Sta-Rite are warranted to be free of defects in material and workmanship for one (1) year from date of installation.

Product specific warranties:	Year from date of installation
<i>HRPB, DEPB and System 3</i> – Tanks	10 years
Internal filter components and valves	1 year
<i>Max-E-Therm</i> – Pool/Spa Heaters	2 years
Heater Enclosure only (Upper RH & LH; lower enclosure; and control board enclosure)	10 years
<i>Automatic Pool Cleaners including Hose</i>	2 years
<i>Cristal-Flo filters</i> – Tanks	10 years pro-rated*
Valve and internal components.	1 year
<i>Posi-Flo II</i> – Tanks	10 years
Elements	1 year
<i>Waterford Sand</i> – Tanks	10 years pro-rated*
Pumps	1 year
Valve and Internals	1 year
<i>Waterford Cartridge</i> – Filter Tank	10 years
Pumps	1 year
<i>System 3 Above Ground Systems</i> – Tanks	10 years
Pumps	1 year
Platform and Internals	1 year
<i>Pumps</i>	1 year
When equipped with A.O. Smith 2-compartment motors (Does not include pumps sold as part of a systems package)	2 years

* Full warranty coverage is in effect for one year after installation. The pro-rated warranty covers the *tank only* during

the 2nd through 10th year after installation. The amount covered decreases by 10% each year. (ie., 2nd year 90% covered, 3rd year 80% covered, etc.).

The foregoing warranties relate to the original consumer purchaser ("Purchaser") only. Sta-Rite shall have the option to repair or replace the defective product, at its sole discretion. Purchasers must pay all labor and shipping charges necessary to replace the product covered by this warranty. Requests for warranty service must be made through the installing dealer. This warranty shall not apply to any product that has been subject to negligence, misapplication, improper installation or maintenance, or other circumstances which are not in Sta-Rite's direct control.

This warranty sets forth Sta-Rite's sole obligation and Purchaser's exclusive remedy for defective products.

STA-RITE SHALL NOT BE LIABLE FOR ANY CONSEQUENTIAL, INCIDENTAL OR CONTINGENT DAMAGES WHATSOEVER.

THE FOREGOING WARRANTIES ARE EXCLUSIVE AND IN LIEU OF ALL OTHER EXPRESS WARRANTIES. IMPLIED WARRANTIES, INCLUDING BUT NOT LIMITED TO THE IMPLIED WARRANTIES OF MERCHANTABILITY AND FITNESS FOR A PARTICULAR PURPOSE, SHALL NOT EXTEND BEYOND THE DURATION OF THE APPLICABLE EXPRESS WARRANTIES PROVIDED HEREIN.

Some states do not allow the exclusion or limitation of incidental or consequential damages or limitations on how long an implied warranty lasts, so the above limitations or exclusion may not apply to you. This warranty gives you specific legal rights and you may also have other rights which vary from state to state.

Supersedes all previous publications.

Sta-Rite Industries, Inc.
293 Wright Street
Delavan, WI 53115

▲ Retain Warranty Certificate (upper portion) in a safe and convenient location for your records.
 DETACH HERE: Fill out bottom portion completely and mail within 10 days of purchase/installation to:
 ▼ Sta-Rite, Attn: Warranty Dept., 293 Wright St., Delavan, WI 53115



Warranty Registration Card

Name _____

Address _____

City _____ State _____ Zip _____

Purchase Date _____

Product Purchased _____

New installation Replacement

Type of Pool Inground Vinyl Fiberglass Gunite

Size of Pool _____

Years pool has been in service less than 1 1-3 3-5 5-10

Purchased from:
 Company name _____

Address _____

City _____ State _____ Zip _____

Please send me more information on these other products from Sta-Rite.

Pumps Filters Automatic Pool Cleaners
 Maintenance Equipment Test Strips
 Heaters