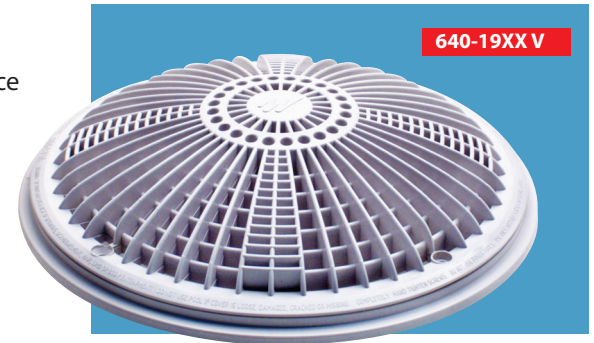


10" Round Tru Flo Drain and Frame

Waterway drain covers are compliant to the latest Consumer Safety Product Commission requirements (CPSC). Listed and Certified and Tested in strict accordance to the requirements of ASME A112.19.8-2007 and ASME A112.19.8a-2008 as defined in CPSC letter dated April 8, 2011. Certified by: Underwriters Laboratories, Inc., 2929 E. Imperial Highway, Suite 100, Brea, CA 92821-6729.



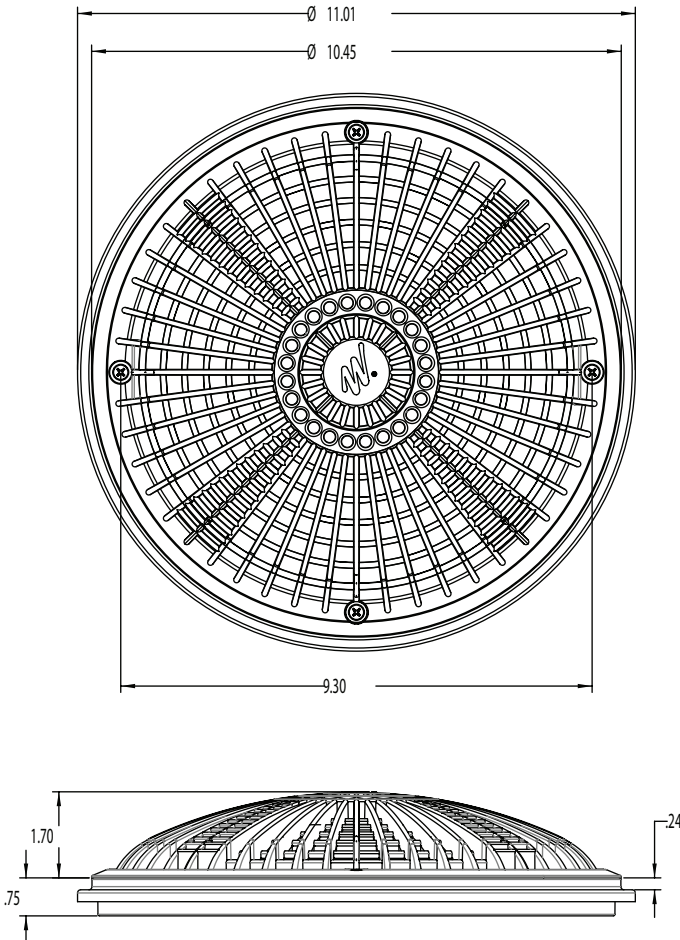
Waterway 640-19XX V series covers and frames are available in:

- White
- Black
- Gray
- Dark Gray
- Beige

WARNING!

- A minimum of two functioning suction outlets per pump must be installed. Suction outlets in the same plane (i.e. floor to wall) must be installed a minimum of three feet (1 meter) apart, as measured from near point to near point.
- Dual suction shall be placed in such locations and distances to avoid "dual blockage" by a user.
- Dual suction fittings shall not be located on seating areas or on the backrest for seating areas.
- The maximum system flow rate shall not exceed the flow rate of any listed suction outlet cover installed (per ASME/ANSI A112.19.8-2007).
- Never use pool or spa if any suction outlet component is damaged, broken, cracked, missing or not securely attached.
- Replace damaged, broken, cracked, missing or not securely attached suction outlet components immediately.
- In addition, two or more suction outlets per pump installed in accordance with the latest APSP, IAF Standards and CPSC guidelines must follow all applicable National, State and Local codes.

Model No.	Description	Size	Total Open Area Square Inches	Floor Flow Rate GPM	Wall Flow Rate GPM	Flow Rate GPM @ 1.5 ft/sec
640-19XX V	Tru Flo	10"	30.9	200	136	143



Part No.	Description
819-1115	#8 Stainless Steel Screw - 3/2 x 5/8
642-241X V	10" Tru Flo Drain Cover
642-311X	10" Tru Flo Drain Frame

