

SAm[®] Spectrum Amerlite[®] Color Underwater Light Owner's Manual

IMPORTANT SAFETY INSTRUCTIONS
READ AND FOLLOW ALL INSTRUCTIONS
SAVE THESE INSTRUCTIONS

Patent 7,097,329
Patent 7,128,440



Table of Contents

Section I.	Installing light fixture during new pool construction	3
Section II.	Replacing light fixture in existing pool.	4
Section III.	Switching Options for Spectrum Amerlite Color Synchronization	5
Section IV.	SAm Operating Instructions	5
Section V.	Replacing lamp's only	6
Section VI.	Stainless Steel Face Ring Assy. Instructions.	8
Section VII.	SAm Spectrum Amerlite Replacement Parts	8
Sección I.	Instalación del artefacto de iluminación durante la construcción de una piscina nueva	11
Section I.	Installation du luminaire pendant la construction d'une piscine nouvelle	21

{P/N 600051} - For operation only with safety isolating transformer.

⚠ DANGER



Risk of Electrical Shock or Electrocution

This underwater light must be installed by a licensed or certified electrician in accordance with the National Electrical Code and all applicable local codes and ordinances. Improper installation will create an electrical hazard which could result in death or serious injury to pool users, installer, or others due to electrical shock, and may also cause damage to property. Read and follow the specific instructions below.

⚠ WARNING

Before installing this product, read and follow all warning notices and instructions accompanying this light. Failure to follow safety warnings and instructions can result in severe injury, death, or property damage. Call (800) 831-7133 for additional free copies of these instructions.

Important Notice



Attention Installer.

This manual contains important information about the installation, operation and safe use of this product. This information should be given to the owner/operator of this equipment.

Pentair Water Pool and Spa, Inc.

1620 Hawkins Ave., Sanford, NC 27330 • (800) 831-7133 or (919) 566-8000
10951 West Los Angeles Ave., Moorpark, CA 93021 • (800) 831-7133 or (805) 553-5000
Visit us on the Internet at: www.pentairpool.com or www.staritepool.com



⚠ DANGER! Risk of Electrical Shock or Electrocution!



This product must be installed by a licensed or certified electrician or a qualified pool serviceman in accordance with the National Electrical Code and all applicable local codes and ordinances. Improper installation will create an electrical hazard which could result in death --- or serious injury to pool users, installers or others due to electrical shock, and may also cause damage to property. Always disconnect the power to the pool light at the circuit breaker before servicing the light. Failure to do so could result in death or serious injury to serviceman, pool users or others due to electrical shock. **READ AND FOLLOW ALL INSTRUCTIONS IN THIS MANUAL.**

⚠ WARNING — Important Safety Information for Pentair Niche and Light Installation

- All Niche and Light installations must conform with all codes. If local codes mandate a cord seal, use Pentair plastic niches (P/N 79206600 and P/N 79206700).
- Under no circumstances replace lights by splicing wire under water or behind niche.

⚠ WARNING — RISK OF ELECTRIC SHOCK AND INJURY.

USE ONLY THE INSTALLATION METHOD SPECIFIED BELOW.

Important Safety Information for Fountain Fixture Installations

Location of Luminaire (Light) Use	Pentair Fountain Fixture* (P/N 560000 – P/N 560001) (P/N 560002 – P/N 560003)	Required Installation Method
Swimming Pool or Spa	Wet-Niche Swimming Pool (or Spa) Luminaire (Light)	Fixture Housing (Forming Shell) ONLY. DO NOT USE Fountain Fixture Stand.
Fountain	Wet-Niche Submersible Swimming Pool (or Spa) Luminaire (Light)	Fixture Housing (Forming Shell) or Fountain Fixture Stand.

(*) Note: Wet-niche luminaires complying with requirements for both uses may bear both the Listed Wet-Niche Swimming Pool (or Spa) Luminaire UL Mark and the Listed Wet-Niche Submersible Luminaire UL Mark. A luminaire not bearing the corresponding UL Listing Mark is not considered by UL to have been produced under UL's Listing and Follow-Up Service for the associated usage location.

© 2007 Pentair Water Pool and Spa, Inc. All rights reserved.

1620 Hawkins Ave., Sanford, NC 27330 • (800) 831-7133 • (919) 566-8000
10951 West Los Angeles Ave., Moorpark, CA 93021 • (800) 831-7133 • (805) 553-5000

This document is subject to change without notice.

Trademarks and Disclaimers: Pentair Water Pool and Spa, **SAm**, and Spectrum Amerlite are registered trademarks of Pentair Water Pool and Spa, Inc. Other trademarks and trade names may be used in this document to refer to either the entities claiming the marks and names or their products. Pentair Water Pool and Spa, Inc. disclaims any proprietary interest in trademarks and trade names other than its own.

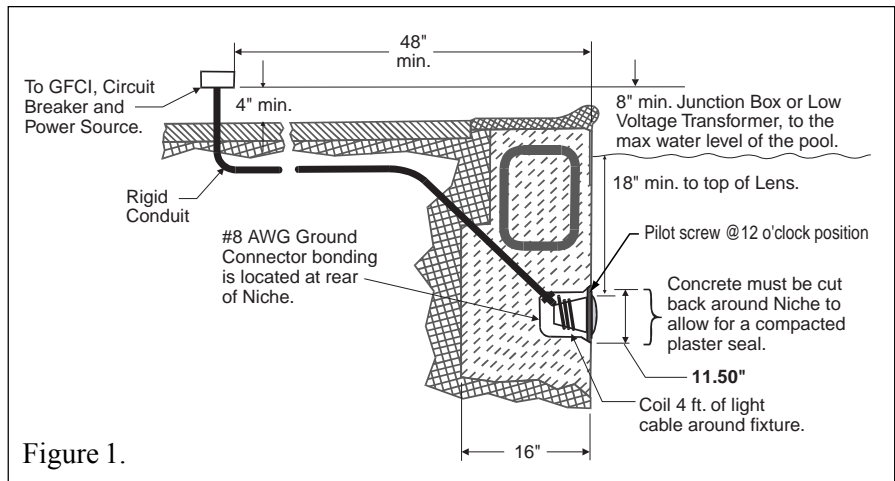


Section I. Installing light fixture during new pool construction

A. Preparatory steps which must be completed by the electrician before the light fixture is installed; see Figure 1.

1. Verify that the pool meets the requirements of the current National Electrical Code and all local codes and ordinances. A licensed or certified electrician must install the electrical system to meet or exceed those requirements before the underwater light is installed. Some of the requirements of the National Electrical Code which the pool's electrical system must meet are as follows:

- The lighting circuit has a Ground Fault Circuit Interrupter (GFCI) for line voltage models, and has an appropriately rated circuit breaker.
- The Junction Box (or, for 12 volt models, the low voltage transformer) is located at least 8 inches above the maximum water level of the pool and at least 48 inches from the edge of the pool; see Figure 1.
- The light fixture and all metal items within 5 feet of the pool are properly electrically bonded.
- The wet niche must be properly installed so the pilot screw hole is at the 12 o'clock position and that the top edge of the underwater light's lens is at least 18 inches below the surface of the water in the pool; see Figure 1. (Not more than 20" depth in Canada.)



NOTE

The required orientation of all Pentair lights is with the pilot screw at the 12 o'clock position. This is guaranteed by proper niche installation.

- The wet niche is properly electrically bonded and grounded via the No. 8 AWG ground connector located at the ear of the niche; see Figure 1.

NOTE

The pool or spa electrical system can be verified with a Pool and Spa Electrical Qualification Test Kit. The test kit is available from Pentair Water Pool and Spa, Inc. The electrical system inspection using this kit must be performed by trained and certified personnel.

- To be certain that the pool's electrical system meets all applicable requirements, the electrician should also consult the local building department.
- Use only Pentair Water Pool and Spa, Inc., American Products or Purex wet niches to insure proper bonding and grounding connections.

B. Steps to perform after the electrical system requirements are met.

- Feed cord through conduit to Junction Box, leaving at least 4 feet of cord at the light fixture to coil around the light; see Figure 1. This 4 feet of cord around the light allows the light to be serviced after the pool is filled with water.
- Cut the cord at the Junction Box, leaving at least 6 inches of cord to make connections.
- Strip 6 inches of the outer cord jacket to expose the three insulated wires--be careful not to damage the insulation on the three inner wires.
- Connect all three wires to the corresponding circuit wires in the Junction Box and secure the Junction Box cover in place.

⚠ WARNING

Never operate this underwater light for more than 10 seconds unless it is totally submerged in water. Without total submersion, the light assembly will get extremely hot, which may result in serious burns or in breakage of the lamp or lens. This may result in serious injury to pool users, installers, or bystanders, or in damage to property.

- Replace the light assembly into the niche and tighten the special pilot screw.

WARNING

Use only the special pilot screw provided with this underwater light. This screw mounts and electrically grounds the housing securely to the mounting ring and wet niche. Failure to use the screw provided could create an electrical hazard which could result in death or serious injury to pool users, installers or others due to electrical shock.

6. Fill the pool until the underwater light is completely submerged in water before operating the light for more than 10 seconds. Turn on main switch or circuit breaker, as well as the switch which operates the underwater light itself, to check for proper operation. Refer to Operating Instructions, Section IV., for full function test.

Section II. Replacing light fixture in existing pool

DANGER



Risk of Electrical Shock or Electrocutation

This underwater light must be installed by a licensed or certified electrician or a qualified pool serviceman in accordance with the National Electrical Code and all applicable local codes and ordinances. Improper installation will create an electrical hazard which could result in death or serious injury to pool users, installers or others due to electrical shock, and may also cause damage to property.

Always disconnect the power to the pool light at the circuit breaker before servicing the light. Failure to do so could result in death or serious injury to serviceman, pool users or others due to electrical shock.

A. Before replacing the light fixture.

1. Verify that the pool meets the requirements of the current National Electrical Code and all local codes and ordinances. A licensed or certified electrician must install the electrical system to meet or exceed those requirements before the underwater light is installed. Some of the requirements of the National Electrical Code which the pool's electrical system must meet are as follows:
 - a. The lighting circuit has a Ground Fault Circuit Interrupter (GFCI) for line voltage models, and has an appropriately rated circuit breaker.
 - b. The Junction Box (or, for 12 volt models, the low voltage transformer) is located at least 8 inches above ground level and at least 48 inches from the edge of the pool; see Figure 1.
 - c. The light fixture and all metal items within 5 feet of the pool are properly electrically bonded.
 - d. The wet niche is properly installed so that the top edge of the underwater light's lens is at least 18 inches below the surface of the water in the pool; see Figure 1.
 - e. The wet niche is properly electrically bonded and grounded via the No. 8 AWG ground connector located at the rear of the niche; see Figure 1.

NOTE

The pool or spa electrical system can be verified with a Pool and Spa Electrical Qualification Test Kit. The test kit is available from Pentair Water Pool and Spa, Inc. The electrical system inspection using this kit must be performed by trained and certified personnel.

2. To be certain that the pool's electrical system meets all applicable requirements, the electrician should also consult the local building department.
3. Use only Pentair Water Pool and Spa, Inc., American Products or Purex wet niches to insure proper bonding and grounding connections.

B. Replacing light fixture after electrical system requirements are met.

WARNING

Failure to bring the pool's electrical system up to code requirements before installing the underwater light will create an electrical hazard which could result in death or serious injury to pool users, installers, or others due to electrical shock, and may also cause damage to property.

1. Turn off main electrical switch or circuit breaker, as well as the switch which operates the underwater light itself.
2. To remove light assembly, remove the special pilot screw at top of face ring, remove light assembly from niche, and place assembly on deck.

WARNING

Be sure to keep the special pilot screw from this underwater light. This screw mounts and electrically grounds the housing securely to the mounting ring and wet niche. Failure to use the screw provided could create an electrical hazard which could result in death or serious injury to pool users, installers or others due to electrical shock.

3. Remove Junction Box cover, disconnect the light fixture wires, and pull the cord through the conduit.
4. Feed the new light fixture cord through the conduit from the niche to the Junction Box.

NOTE

Depending on the length of the conduit, special tools may be required to pull the cord through the conduit.

5. Leave at least 4 feet of cord to coil around the light fixture; see Figure 1. This 4 feet of cord coiled around the light allows the light to be serviced after the pool is filled with water.
6. Cut the cord at the Junction Box, leaving at least 6 inches of cord to make connections.
7. Strip 6 inches of the outer cord jacket from the cord to expose the three insulated wires – be careful not to damage the insulation on the three inner wires.
8. Connect all three wires to the corresponding circuit wires in the Junction Box (black wire to power, white wire to common, and green wire to ground) and secure the Junction Box cover in place.

WARNING

Never operate this underwater light for more than 10 seconds unless it is totally submerged in water. Without total submersion, the light assembly will get extremely hot, which may result in serious burns or in breakage of the lamp or lens. This may result in serious injury to pool users, installers, or bystanders, or in damage to property.

9. Replace light assembly into the niche and tighten the special pilot screw.

WARNING

Use only the special pilot screw provided with this underwater light. This screw mounts and electrically grounds the housing securely to the mounting ring and wet niche. Failure to use the screw provided could create an electrical hazard which could result in death or serious injury to pool users, installers or others due to electrical shock.

10. Fill the pool until the underwater light is completely submerged in water before operating the light for more than 10 seconds. Turn on main switch or circuit breaker, as well as the switch which operates the underwater light itself, to check for proper operation. Refer to Operating Instructions, Section IV., for full function test.

Section III. Switching Options for Spectrum *Amerlite*® Color Synchronization

A. Multiple **SAm** lights ALWAYS in color synchronization.

1. If multiple **SAm** lights are desired to always be on or off together and always with synchronized colors, multiple **SAm** lights may be controlled by a single switch to the extent allowed by code and capacity of the electrical equipment.

B. Multiple **SAm** lights controlled separately but with color synchronize capabilities.

1. If on/off function or color of multiple **SAm** lights is desired to be controlled separately, then **SAm** lights should be controlled by separate switches. It is recommended that the switches controlling **SAm** lights be in immediate proximity of each other to allow simple color synchronization.

Section IV. *SAm*® Operating Instructions

A. ON -- **SAm** turns on whichever color it was turned off.

B. 1st OFF/ON -- **SAm** fast forwards to white and pauses for up to 30 seconds, waiting for other **SAm** lights to synchronize. **SAm** then begins rolling through the Spectrum and will continue rolling until receipt of next switch command.

C. 2nd OFF/ON -- **SAm** holds on displayed color.

D. OFF/ON -- Repeats 1st OFF/ON sequence function.

E. OFF/ON Again -- **SAm** holds on displayed color.

NOTE

If multiple **SAm** lights are preferred in color synchronization, the above should be performed on respective switches simultaneously. If they are desired on different colors they should be switched separately.

Section V. Replacing lamp's only, see Figure 2

DANGER



Always disconnect power to the pool light at the circuit breaker before servicing the light. Failure to do so could result in death or serious injury to installer, serviceman, pool users or others due to electrical shock.

1. Turn off main electrical switch or circuit breaker, as well as the switch which operates the underwater light itself.
2. You will need to get the following items.
 - a. A new lens gasket, p/n 79101600.
 - b. Two (2) lamps, see Table 1.

Lamp's Specifications*					Table 1.
Fixture Voltage	Bulb Voltage	Bulb Wattage	Lamp Type	P/N	
120V	12V	75W	EYC	79112400	
12V	12V	75W	EYC	79112400	

* NOTE: Both 120V and 12V SAm's use the same 12V bulb.

WARNING

Replace the lamp with a similar type and wattage. Failure to replace the lamp with the same type of lamp will damage the light assembly and may cause an electrical hazard resulting in death or serious injury to pool users, installers, or others due to electrical shock, and may also cause damage to property.

WARNING

Always install a new lens gasket (part number 79101600) whenever disassembling the light. Failure to do so may permit water to leak into the assembly which could cause:

- (a) an electrical hazard resulting in death or serious injury to pool users, installers, or others due to electrical shock, or
 - (b) breakage of the lamp or lens, which likewise could result in serious injury to pool users, installers, or bystanders, or in damage to property.
3. To remove light assembly, remove the special pilot screw at top of face ring, remove light assembly from niche, and gently place assembly on deck. You are not required to drain down the pool.

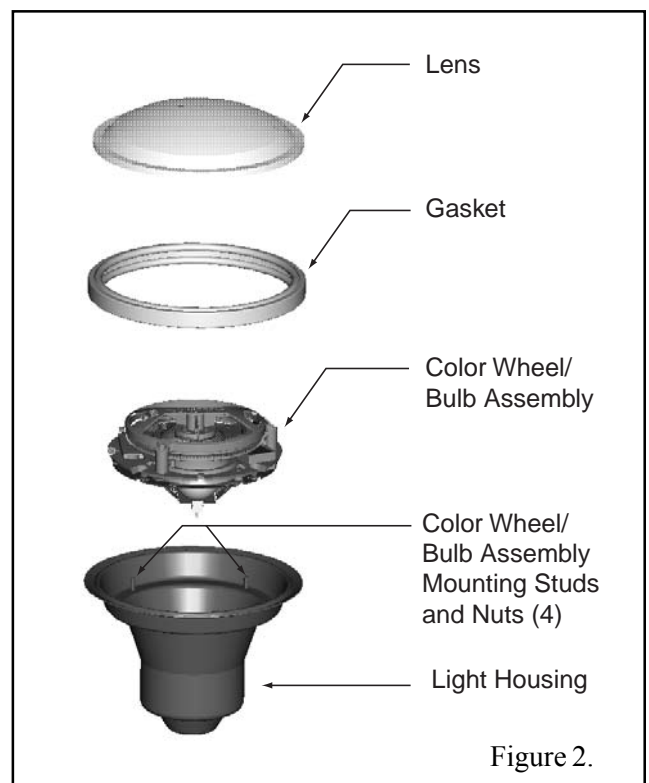
WARNING

Be sure to keep the special pilot screw from this underwater light. This screw mounts and electrically grounds the housing securely to the mounting ring and wet niche. Failure to use the screw provided could create an electrical hazard which could result in death or serious injury to pool users, installers or others due to electrical shock.

NOTE

Transformer required on 12 volt models.

4. Disassemble light fixture and remove bulb.
 - a. With a ¼" nut driver, remove 4 bulb plate retainer nuts and place in a secure location, see Figure 3.
 - b. Lift color wheel/bulb assembly to clear bolts, then swing up and rest vertically in light fixture to provide bulb access, see Figure 3.

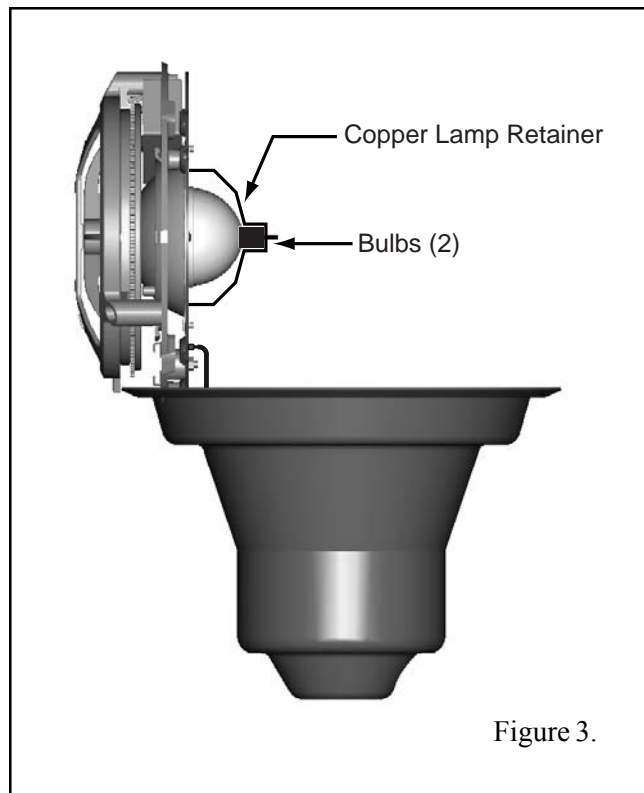


- c. Squeeze bulb retainer where indicated, grip white socket and slide bulb out sideways.
- d. Grip white socket and, working back and forth, pull socket from bulb pins.
- e. Repeat for second bulb. Always replace both bulbs at the same time.

⚠ WARNING

Be sure the power is OFF before installing or removing lamp. Allow the lamp to cool before relamping. This light fixture uses a quartz Halogen lamp. DO NOT touch the lamp with bare hands: This may severely reduce its life. Use the plastic furnished with the replacement, a clean rag, or a tissue to eliminate fingerprints from getting on the lamp.

5. Install the new lamp(s).
 - a. Push bulbs into white socket.
 - b. Squeeze copper bulb retainer and slide bulb in from side.
 - c. Ensure bulb is tight against copper plate between locating guide bumps.
6. Remove old gasket from lens and discard it.
7. Swing color wheel/bulb assembly back into position over 4 fixture studs. Secure with 4 nuts. Do not over tighten.
8. Install new gasket during reassembly of light, Pentair Water Pool and Spa, Inc. part number 79101600.



⚠ WARNING

Never operate the underwater light for more than 10 seconds unless it is totally submerged in water. Without total submersion, the light assembly will get extremely hot and may result in serious burns or in breakage of the lamp or lens. This may result in serious injury to pool users, installers, or bystanders, or in damage to property.

9. Align the special pilot screw on the face ring with the letter "O" of the word "TOP" on the surface of the lens. The pilot screw, "O" in "TOP" and the white pointer on the color wheel/bulb assembly should also align with the cord compression fitting on the top rear of the light fixture.
10. Align the special pilot screw on the face ring with the letter "O" of the word "TOP" on the surface of the lens. The pilot screw, "O" in "TOP" and the white pointer on the color wheel/bulb assembly should also align with the cord compression fitting on the top rear of the light fixture.
11. Secure ring to light fixture. See Section VI., Stainless Steel Face Ring Assembly Instructions.
12. Replace light assembly into niche and tighten special pilot screw.

⚠ WARNING

Use only the special pilot screw provided with this underwater light. This screw mounts and electrically grounds the housing securely to the mounting ring and wet niche. Failure to use the screw provided could create an electrical hazard which could result in death or serious injury to pool users, installers or others due to electrical shock.

13. Fill pool until the underwater light is completely submerged in water before operating the light for more than 10 seconds. Turn on main switch or circuit breaker, as well as the switch which operates the underwater light itself, to check for proper operation. Refer to Operating Instructions, Section IV., for full function test.

Section VI. Stainless Steel Face Ring Assy. Instructions

1. Replace lens gasket. A NEW LENS GASKET MUST BE USED EACH TIME THE LIGHT IS REASSEMBLED.
2. With the light resting on its base, place lens/gasket assembly on light fixture and position so the white pointer on the color wheel/bulb assembly points to the "O" in the word "TOP" on the surface of the lens. See Figure 2.
3. Align the special pilot screw on the face ring with the letter "O" of the word "TOP" on the surface of the lens. The pilot screw, "O" in "TOP" and the white pointer on the color wheel/bulb assembly should also align with the cord compression fitting on the top rear of the light fixture.
4. With the bent ends of the circular uni-tension clamp pointing down spread the clamp and place it in the "U" recesses of the locking levers. Be sure the bent ends of the clamp are located between the pair of locking levers as shown in Figure 4, location A. Check to see that the clamp is properly engaged with all of the levers.
5. Turn the light so that it is now resting on its lens. Tighten the screw and nut until the distance between the ends of the clamp equals 1/4 inch or less; see Figure 5.

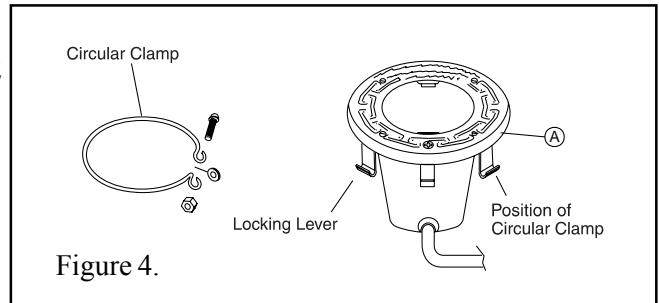


Figure 4.

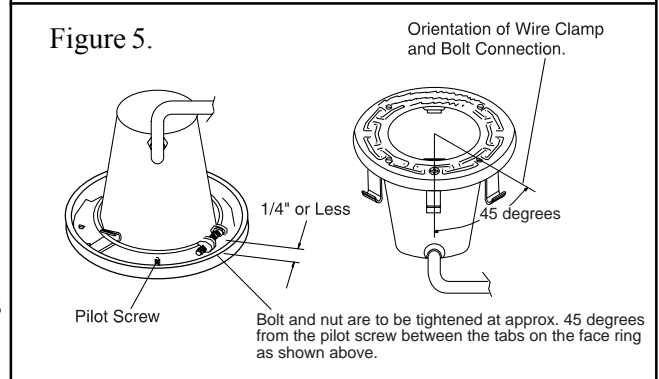
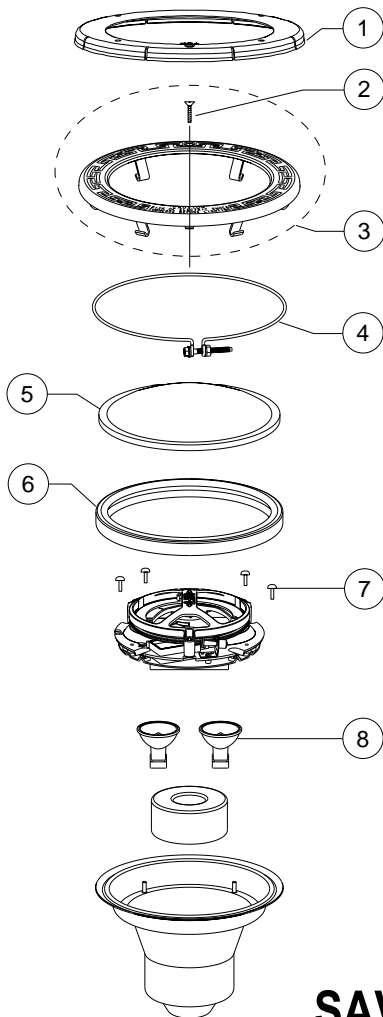


Figure 5.

Section VII. *SAm*[®] Spectrum Amerlite[®] Replacement Parts



Item No.	Part No.	Description
1	79212100	Face ring, large plastic, white
1	79212165	Face ring, large plastic, gray
1	79212111	Face ring, large plastic, black
2	79104800	Pilot Screw, with captive gum washer, brass
2	619355	Pilot Screw, with captive gum washer, S/S
3	79110600	Face ring assembly, S/S
4	79111000	Uni-tension wire clamp assembly
5	619385	Lens, SAm , standard
6	79101600	Gasket, 8-3/8 in. lens
7	619487	Nut, retaining
8	79112400	Bulb, 75 watt, EYC, MR-16, 2 req.
8	619352	Bulb, 35 watt, FMW, MR-16, 2 req.

NOT SHOWN

619489	Colorwheel assembly
619495	Colorwheel motor w/gear

NOTE

120V **SAm** has an integral 12V transformer.
All **SAm** lights use a 12V lamp.

SAVE THESE INSTRUCTIONS.

SAm[®] Spectrum Amerlite[®]

Manual operativo para la lámpara subácuea de colores

INSTRUCCIONES DE SEGURIDAD IMPORTANTES LEA Y SIGA TODAS LAS INSTRUCCIONES GUARDE ESTAS INSTRUCCIONES

Patent 7,097,329
Patent 7,128,440



Indice

Sección I.	Instalación del artefacto de iluminación durante la construcción de una piscina nueva	11
Sección II.	Reemplazo del artefacto de iluminación en una piscina ya existente	12
Sección III.	Cambio de opciones para la sincronización de colores Spectrum Amerlite	13
Sección IV.	Instrucciones para el funcionamiento de SAm	14
Sección V.	Reemplazo sólo de la lámpara	14
Sección VI.	Instrucciones para el montaje del aro frontal de acero inoxidable	16
Sección VII.	Piezas de repuesto SAm Spectrum Amerlite	17

{P/N 600051} - Para ser usada solamente con transformadores de aislación de seguridad.

⚠ PELIGRO



Riesgo de descarga eléctrica o electrocución

Esta lámpara subácuea debe ser instalada por un electricista con licencia o autorizado en conformidad con el Código Eléctrico Nacional y todos los demás códigos y reglamentos municipales. La instalación incorrecta presenta peligro eléctrico con consecuencias de muerte o lesiones graves para quienes utilizan la piscina, el instalador o demás personas debido a descarga eléctrica, y puede asimismo causar daños a la propiedad. Lea y observe las instrucciones específicas que siguen a continuación.

⚠ ADVERTENCIA

Antes de instalar este producto, lea y observe todos los avisos de advertencia y las instrucciones que acompañan este artefacto. El no observar las advertencias de seguridad y las instrucciones puede tener consecuencias de lesiones graves, muerte o daños a la propiedad. Llame al (805) 553-5000 para obtener copias adicionales de estas instrucciones.

Aviso importante



Atención, instalador,

El presente manual contiene información importante acerca de la instalación, el funcionamiento y el uso sin peligros de este producto. Esta información debe proporcionarse al propietario / operador de este aparato.

Pentair Water Pool and Spa, Inc.

1620 Hawkins Ave., Sanford, NC 27330 USA • (800) 831-7133 o (919) 566-8000
10951 West Los Angeles Ave., Moonpark, CA 93021 USA • (800) 831-7133 o (805) 553-5000
Visitenos en Internet en: www.pentairpool.com y www.staritepool.com



⚠ ¡PELIGRO! ¡Riesgo de Golpe Eléctrico o Electrocuación!



Este producto debe ser instalado por un electricista certificado o licenciado o por un representante de servicio de mantenimiento de piscinas calificado de acuerdo con el Código Nacional de Electricidad y todas las regulaciones y códigos locales aplicables. Una instalación inapropiada creará un peligro eléctrico que podría resultar en muerte — o lesiones graves a los usuarios de la piscina, instaladores u otras personas debido a un golpe eléctrico y puede causar daño a la propiedad. Siempre desconecte la fuente de poder de las luces de la piscina en la caja de fusibles antes de realizar un servicio de mantenimiento de las luces. El no hacerlo de esta forma puede resultar en la muerte o lesiones serias al representante de servicios de mantenimiento, usuarios de la piscina u otros debido a un golpe eléctrico. LEA Y SIGA TODAS LAS INSTRUCCIONES DE ESTE MANUAL.

⚠ ADVERTENCIA — Importante información de seguridad para la instalación de luces y nichos Pentair

- Todas las instalaciones de nichos y luces deben estar en conformidad con todos los códigos. Si un código local exige un sello para cable, utilice nichos plásticos Pentair (P/N 79206600 y P/N 79206700).
- Por ningún motivo reemplace luces empalmando cables bajo el agua o detrás del nicho.

⚠ ADVERTENCIA — RIESGO DE GOLPE ELÉCTRICO Y LESIONES.

UTILICE SOLO EL MÉTODO DE INSTALACIÓN ESPECIFICADO MÁS ABAJO.

Importante información de seguridad para instalaciones de reflectores de fuentes

Lugar de uso de Lámpara (Luz)	Reflector de Fuente Pentair* (P/N 560000 – P/N 560001) (P/N 560002 – P/N 560003)	Método de Instalación Requerido
Piscina o Spa	Lámpara (Luz) para Piscina (o Spa) con nicho impermeables	SÓLO carcasa de reflector (Casco de molde). NO UTILIZAR Soporte para reflector de fuente.
Fuente	Lámpara (Luz) para Piscina (o Spa) con nicho impermeable sumergible	Carcasa para reflector (Casco de molde) o soporte para reflector de fuente.

(*) Nota: Las lámparas de nicho impermeable que cumplen con los requisitos para ambos usos, pueden llevar ya sea la marca de certificación UL para Lámparas listadas para piscinas (Spa) de nicho impermeable, como la marca de certificación UL para Lámparas listadas de nicho impermeable sumergible. Una Lámpara que no lleva la marca de Listado UL correspondiente, no es considerada por UL como fabricada bajo el Listado y Servicio de Seguimiento UL para el lugar de uso asociado.

© 2007 Pentair Water Pool and Spa, Inc. Todos los derechos reservados.

1620 Hawkins Ave., Sanford, NC 27330 • (800) 831-7133 or (919) 566-8000
10951 West Los Angeles Ave., Moorpark, CA 93021 • (800) 831-7133 or (805) 553-5000



Este documento está sujeta a cambios sin previo aviso.

Marcas Registradas y Renuncias. Pentair Water Pool and Spa, SAm, y Spectrum Amerlite son marcas registradas de Pentair Water Pool and Spa, Inc. Se pueden usar otras marcas registradas y otros nombres comerciales para referirse a las personas morales que reclaman la propiedad de las marcas registradas y de los nombres comerciales o de sus productos. Pentair Water Pool and Spa, Inc. desconoce cualquier interés en marcas registradas y en nombres comerciales diferentes al suyo propio.

Sección I. Instalación del artefacto de iluminación durante la construcción de una piscina nueva

A. Pasos de preparación que el electricista debe llevar a cabo antes de la instalación del artefacto de iluminación; véase la Figura 1.

1. Verifique que la piscina satisfaga los requisitos del Código Eléctrico Nacional y todos los códigos y reglamentos municipales en vigor. Un electricista con licencia o autorizado debe instalar el sistema eléctrico de manera que el mismo cumpla o supere dichos requisitos antes de instalar la lámpara subacuática. Algunos de los requisitos del Código Eléctrico Nacional que el sistema eléctrico de la piscina debe cumplir son los siguientes:

- a. El circuito de iluminación debe contar con un interruptor de circuito de pérdida a tierra (GFCI, sigla en inglés por Ground Fault Circuit Interrupter) para línea voltaje modelo, y con un disyuntor con capacidad de desconexión adecuada.
- b. La caja de empalme (o el transformador de bajo voltaje en el caso de modelos de 12 voltios) debe estar ubicada a un mínimo de 20,32 cm (8 pulg.) por encima del nivel máximo de agua de la piscina y al menos 1,22 m (48 pulg.) del borde de la piscina; véase la Figura 1.
- c. El artefacto de iluminación y todos los elementos de metal deben encontrarse dentro de 1,50 m (5 pies) de distancia de la piscina y tener conexión eléctrica apropiada.
- d. El nicho en húmedo debe estar correctamente instalado de manera que el tornillo piloto se encuentre en la posición de las 12 del reloj y que el borde superior del lente de la lámpara subacuática se encuentre a un mínimo de 45,72 cm (18 pulg.) por debajo de la superficie del agua de la piscina; véase la Figura 1. [En Canadá, a una profundidad máxima de 50,8 cm (20 pulg.)].

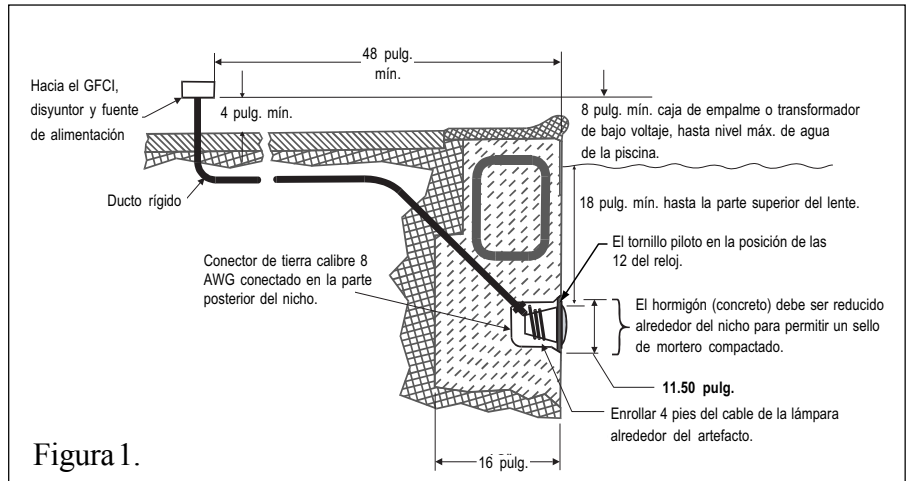


Figura 1.

NOTA

La orientación requerida para todas las lámparas Pentair es con el tornillo piloto en la posición de las 12 del reloj. Esto es garantizado por la instalación correcta del nicho.

- e. El nicho en húmedo debe tener conexión eléctrica apropiada y estar puesto adecuadamente a tierra mediante conector de tierra de calibre No. 8 AWG ubicado en la parte posterior del nicho; véase la Figura 1.

NOTA

El sistema eléctrico de la piscina o baño termal puede verificarse mediante un juego de Prueba de Idoneidad Eléctrica de Piscinas y Baños, que puede adquirirse de Pentair Water Pool and Spa, Inc. La inspección del sistema eléctrico mediante este juego debe ser efectuado por personal entrenado y autorizado.

2. Para asegurarse de la conformidad del sistema eléctrico de la piscina con todos los requisitos pertinentes, el electricista debe consultar asimismo el departamento de edificación municipal.
 3. Para asegurar la conexión de continuidad eléctrica y de puesta a tierra adecuada, utilice únicamente nichos en húmedo de Pentair Water Pool and Spa, Inc., American Products o Purex.
- ### B. Pasos a efectuar una vez cumplidos los requisitos del sistema eléctrico.
1. Alimente el cable a través del ducto hasta la caja de empalme, dejando por lo menos un tramo de 1,20 m (4 pies) en el punto del artefacto de iluminación para enrollar alrededor de la lámpara; véase la Figura 1. Este tramo de cable alrededor de la lámpara permite efectuar el mantenimiento de la misma una vez que la piscina esté llena de agua.
 2. Corte el cable en el punto de la caja de empalme, dejando un tramo de al menos 15 cm (6 pulg.) para efectuar las conexiones.
 3. Quite unos 15 cm (6 pulg.) de la camisa exterior del cable para desnudar los tres alambres aislados, teniendo cuidado de no dañar el aislamiento de los tres alambres internos.
 4. Conecte los tres alambres con los alambres correspondientes del circuito en la caja de empalme y fije en posición la tapa de dicha caja.

⚠ ADVERTENCIA

Nunca haga funcionar esta lámpara subacuática por más de 10 segundos a menos que esté totalmente sumergida en agua. Al no estar totalmente sumergido, el conjunto de la lámpara se pondrá sumamente caliente con graves quemaduras o rotura de la lámpara o del lente. Ello podría provocar lesiones graves para quienes utilizan la piscina, el instalador o las personas alrededor, o daños a la propiedad.

5. Vuelva a colocar el conjunto de la lámpara en el nicho y apriete el tornillo piloto especial.

ADVERTENCIA

Utilice únicamente el tornillo piloto especial que se suministra con esta lámpara subácuea. Este tornillo sirve para montar y conectar eléctricamente a tierra el alojamiento de manera firme con el aro de montaje y el nicho en húmedo. Al no utilizar el tornillo suministrado pueden producirse peligros eléctricos con la consiguiente muerte o lesiones graves de los usuarios de la piscina, el instalador o demás personas debido a descarga eléctrica.

6. Antes de hacer funcionar la lámpara por más de 10 segundos, llene la piscina hasta que la lámpara subácuea esté totalmente sumergida en agua. Para verificar el funcionamiento correcto, active el interruptor principal o el disyuntor, así como también el interruptor que acciona la lámpara subácuea misma. Para la prueba funcional completa, consulte la Sección IV, Instrucciones de funcionamiento.

Sección II. Reemplazo del artefacto de iluminación en una piscina existente

PELIGRO

Riesgo de descarga eléctrica o electrocución



Esta lámpara subácuea debe ser instalada por un electricista con licencia o autorizado, o por un encargado de mantenimiento de la piscina autorizado, en conformidad con el Código Eléctrico Nacional y todos los demás códigos y reglamentos municipales. La instalación incorrecta presenta peligro eléctrico con consecuencias de muerte o lesiones graves para quienes utilizan la piscina, el instalador o demás personas debido a descarga eléctrica, y puede asimismo causar daños a la propiedad.

Desconecte siempre la alimentación eléctrica de la lámpara de la piscina en el disyuntor antes de efectuar el mantenimiento del artefacto. El no hacerlo podría provocar la muerte o lesiones graves para el encargado de mantenimiento, los usuarios de la piscina y demás personas debido a descarga eléctrica.

A. Antes de reemplazar el artefacto de iluminación.

1. Verifique que la piscina satisfaga los requisitos del Código Eléctrico Nacional y todos los códigos y reglamentos municipales en vigor. Un electricista con licencia o autorizado debe instalar el sistema eléctrico de manera que el mismo cumpla o supere dichos requisitos antes de instalar la lámpara subácuea. Algunos de los requisitos del Código Eléctrico Nacional que el sistema eléctrico de la piscina debe cumplir son los siguientes:
 - a. El circuito de iluminación debe contar con un interruptor de circuito de pérdida a tierra (GFCI, sigla en inglés por Ground Fault Circuit Interrupter) y con un disyuntor con capacidad de desconexión adecuada.
 - b. La caja de empalme (o el transformador de bajo voltaje en el caso de modelos de 12 voltios) debe estar ubicada a un mínimo de 20,32 cm (8 pulg.) por encima del nivel máximo de agua de la piscina y al menos 1,22 m (48 pulg.) del borde de la piscina; véase la Figura 1.
 - c. El artefacto de iluminación y todos los elementos de metal deben encontrarse dentro de 1,50 m (5 pies) de distancia de la piscina y tener conexión eléctrica apropiada.
 - d. El nicho en húmedo debe estar correctamente instalado de manera que el borde superior del lente de la lámpara subácuea se encuentre a un mínimo de 45,72 cm (18 pulg.) por debajo de la superficie del agua de la piscina; véase la Figura 1.
 - e. El nicho en húmedo debe tener conexión eléctrica apropiada y estar puesto adecuadamente puesto a tierra mediante conector de tierra de calibre No. 8 AWG ubicado en la parte posterior del nicho; véase la Figura 1.

NOTA

El sistema eléctrico de la piscina o baño termal puede verificarse mediante un juego de Prueba de Idoneidad Eléctrica de Piscinas y Baños, que puede adquirirse de Pentair Water Pool and Spa, Inc. La inspección del sistema eléctrico mediante este juego debe ser efectuado por personal entrenado y autorizado.

2. Para asegurarse de la conformidad del sistema eléctrico de la piscina con todos los requisitos pertinentes, el electricista debe consultar asimismo el departamento de edificación municipal.
3. Para asegurar la conexión de continuidad eléctrica y de puesta a tierra adecuada, utilice únicamente nichos en húmedo de Pentair Water Pool and Spa, Inc., American Products o Purex.

B. Reemplazo del artefacto de iluminación una vez satisfechos los requisitos del sistema eléctrico.

ADVERTENCIA

La falta de cumplimiento del sistema eléctrico de la piscina con los requisitos reglamentares antes de instalar la lámpara subácuea producirá descarga eléctrica con la consiguiente muerte o lesiones graves para quienes utilizan la piscina, el instalador o demás personas debido a descarga eléctrica, pudiendo además causar daños a la propiedad.

1. Desactive el interruptor eléctrico principal o el disyuntor, así como también el interruptor que acciona la lámpara subacúea misma.
2. Para quitar el conjunto de la lámpara, quite el tornillo piloto especial en la parte superior del aro frontal, quite el conjunto de la lámpara del nicho y coloque el conjunto en la plataforma.

ADVERTENCIA

No olvide guardar aparte el tornillo piloto especial de esta lámpara subacúea. Este tornillo sirve para montar y conectar eléctricamente a tierra el alojamiento de manera firme con el aro de montaje y el nicho en húmedo. Al no utilizar el tornillo suministrado pueden producirse peligros eléctricos con la consiguiente muerte o lesiones graves de los usuarios de la piscina, el instalador o demás personas debido a descarga eléctrica.

3. Quite la tapa de la caja de empalme, desconecte los alambres del artefacto de iluminación y hale el cable a través del ducto.
4. Alimente el cable del nuevo artefacto de iluminación a través del ducto a partir del nicho hasta la caja de empalme.

NOTA

Dependiendo de la longitud del ducto, es posible que se necesiten herramientas especiales para halar el cable a través del mismo.

5. Deje por lo menos un tramo de 1,20 m (4 pies) para enrollarlo alrededor de la lámpara; véase la Figura 1. Este tramo de cable enrollado alrededor de la lámpara permite efectuar el mantenimiento de la misma una vez que la piscina esté llena de agua.
6. Corte el cable en el punto de la caja de empalme, dejando un tramo de al menos 15 cm (6 pulg.) para efectuar las conexiones.
7. Quite unos 15 cm (6 pulg.) de la camisa exterior del cable para desnudar los tres alambres aislados, teniendo cuidado de no dañar el aislamiento de los tres alambres internos.
8. Conecte los tres alambres con los alambres correspondientes del circuito en la caja de empalme (el alambre negro con el alambre de la alimentación, el alambre blanco con el alambre común y el alambre verde con el alambre de puesta a tierra) y fije en posición la tapa de dicha caja.

ADVERTENCIA

Nunca haga funcionar esta lámpara subacúea por más de 10 segundos a menos que esté totalmente sumergida en agua. Al no estar totalmente sumergido, el conjunto de la lámpara se pondrá sumamente caliente con graves quemaduras o rotura de la lámpara o del lente. Ello podría provocar lesiones graves para quienes utilizan la piscina, el instalador o las personas alrededor, o daños a la propiedad.

9. Vuelva a colocar el conjunto de la lámpara en el nicho y apriete el tornillo piloto especial.

ADVERTENCIA

Utilice únicamente el tornillo piloto especial que se suministra con esta lámpara subacúea. Este tornillo sirve para montar y conectar eléctricamente a tierra el alojamiento de manera firme con el aro de montaje y el nicho en húmedo. Al no utilizar el tornillo suministrado pueden producirse peligros eléctricos con la consiguiente muerte o lesiones graves de los usuarios de la piscina, el instalador o demás personas debido a descarga eléctrica.

10. Antes de hacer funcionar la lámpara por más de 10 segundos, llene la piscina hasta que la lámpara subacúea esté totalmente sumergida en agua. Para verificar el funcionamiento correcto, active el interruptor principal o el disyuntor, así como también el interruptor que acciona la lámpara subacúea misma. Para la prueba funcional completa, consulte la Sección IV, Instrucciones de funcionamiento.

Sección III. Cambio de opciones para la sincronización de colores Spectrum Amerlite®

A. *SAm*® múltiples SIEMPRE en sincronización de colores.

1. Si se desea que múltiples *SAm* estén siempre encendidas o apagadas todas al mismo tiempo y siempre con colores sincronizados, las mismas deben controlarse mediante un solo interruptor en la medida permitida por los colores y la capacidad del equipo eléctrico.

B. *SAm* múltiples controladas independientemente pero con capacidades de sincronización de colores.

1. Si se desea que la función de encendido / apagado o el color de múltiples *SAm* sea controlada por separado, las mismas deben controlarse mediante interruptores independientes. Se aconseja que los interruptores que contienen las *SAm* estén inmediatamente cerca uno del otro para permitir la facilidad de sincronización de colores.

Sección IV. Instrucciones para el funcionamiento de *SAm*[®]

- A. ON — *SAm* se enciende con el color con el cual fue apagada.
- B. 1ra. OFF/ON — *SAm* avanza rápidamente al blanco y se detiene por unos 30 segundos, a la espera de que la otra *SAm* se sincronice. Luego, la *SAm* comienza a desplazarse por todo el espectro y continuará así hasta recibir el próximo comando de conmutación.
- C. 2da. OFF/ON — *SAm* retiene el color visualizado.
- D. OFF/ON — Repite la función de secuencia de 1ra. OFF/ON.
- E. OFF/ON Again — *SAm* retiene el color visualizado.

NOTA

Si se prefiere que múltiples *SAm* estén en sincronización de colores, lo anteriormente descrito debe efectuarse simultáneamente en los respectivos conmutadores. Si se desean con colores diferente, deben conmutarse por separado.

Sección V. Reemplazo sólo de la lámpara, véase la Figura 2

⚠ PELIGRO



Desconecte siempre la alimentación eléctrica de la lámpara de la piscina en el disyuntor antes de efectuar el mantenimiento del artefacto. El no hacerlo podría provocar la muerte o lesiones graves para el encargado de mantenimiento, los usuarios de la piscina y demás personas debido a descarga eléctrica.

1. Desactive el interruptor principal o el disyuntor, así como también el interruptor que acciona la lámpara subácuea misma.
2. Debe procurar los siguientes elementos:
 - a. Una nueva guarnición para el lente, No. de catálogo 79101600.
 - b. Dos (2) lámparas, véase la Tabla 1.

Especificaciones de la lámpara*

Tabla 1.

Voltaje del artefacto	Voltaje de la lámpara	Capacidad de la lámpara, en W	Tipo de lámpara	No. de cat.
120V	12V	75W	EYC	79112400
12V	12V	75W	EYC	79112400

***NOTA: Ambas *SAm* de 12V utilizan la misma lámpara de 12V.**

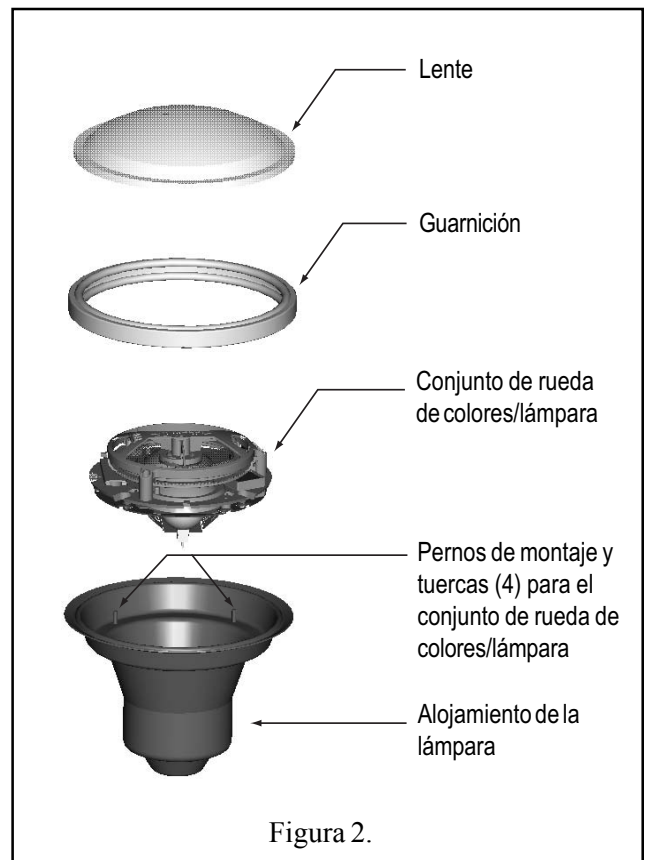
⚠ ADVERTENCIA

Reemplace la lámpara con otra del mismo tipo y capacidad de vatios. La falta de observación con lo antedicho dañará el conjunto de la lámpara y podrá provocar un peligro eléctrico con consecuencias de muerte o lesiones graves para los usuarios de la piscina, el instalador o demás personas debido a descarga eléctrica, pudiendo además causar daños a la propiedad.

⚠ ADVERTENCIA

Siempre coloque una guarnición nueva de lente (número de catálogo 79101600) toda vez que desarme el artefacto. El no hacerlo puede dejar entrar agua en el conjunto lo cual podría provocar:

- (a) un peligro eléctrico con la consiguiente muerte o lesiones graves para los usuarios de la piscina, el instalador o demás personas debido a descarga eléctrica, o
- (b) rotura de la lámpara o del lente, lo cual podría igualmente provocar lesiones graves para los usuarios de la piscina, el instalador o demás personas presentes, o daños a la propiedad.



3. Para quitar el conjunto de la lámpara, quite el tornillo piloto especial en la parte superior del aro frontal, quite el conjunto de la lámpara del nicho y delicadamente coloque el conjunto en la plataforma. No es necesario drenar la piscina.

⚠️ ADVERTENCIA

No olvide guardar aparte el tornillo piloto especial de esta lámpara subácuea. Este tornillo sirve para montar y conectar eléctricamente a tierra el alojamiento de manera firme con el aro de montaje y el nicho en húmedo. Al no utilizar el tornillo suministrado pueden producirse peligros eléctricos con la consiguiente muerte o lesiones graves de los usuarios de la piscina, el instalador o demás personas debido a descarga eléctrica.

NOTA

En los modelos de 12 V se requiere un transformador.

4. Desarme el artefacto de iluminación y retire la lámpara.
 - a. Con un destornillador para tuercas de 1/4", quite las tuercas de retención de la placa de la lámpara y colóquelas en un lugar seguro; véase la Figura 3.
 - b. Levante el conjunto de rueda de colores/lámpara para separar los pernos y luego déle vuelta hacia arriba y apóyelo verticalmente en el artefacto para tener acceso a la lámpara; vea la Figura 3.
 - c. Apriete el retén de la lámpara donde se indique, sujete el zócalo blanco y retire la lámpara halándola lateralmente.
 - d. Sujete el zócalo blanco, moviéndolo hacia atrás y hacia adelante y retírelo halándolo de los pernos de la lámpara.
 - e. Repita lo anterior con la segunda lámpara. Reemplace siempre ambas lámparas al mismo tiempo.

⚠️ ADVERTENCIA

No olvide APAGAR la alimentación antes de instalar o quitar la lámpara. Deje que la misma se enfríe antes de reemplazarla. Este artefacto de iluminación utiliza una lámpara halógena de cuarzo. NO toque la lámpara con las manos desnudas porque podría reducirse la vida útil de la misma. Utilice el plástico suministrado con el repuesto, un trapo limpio o un pañuelito de papel para evitar huellas digitales en la lámpara.

5. Instale la(s) nueva(s) lámpara(s).
 - a. Empuje las lámparas en el zócalo blanco.
 - b. Apriete el retén de cobre de la lámpara e introduzca esta última lateralmente.
 - c. Asegúrese de que la lámpara esté bien apoyada contra la placa de cobre entre las protuberancias de ubicación.
6. Quite la guarnición vieja del lente y deséchela.
7. Vuelva a colocar el conjunto de rueda de colores /lámpara encima de los 4 pernos del artefacto. Sujete con 4 tuercas. No apriete excesivamente.
8. Instale la nueva guarnición durante el nuevo montaje de la lámpara, número de catálogo Pentair Water Pool and Spa, Inc. 79101600.

⚠️ ADVERTENCIA

Nunca haga funcionar la lámpara subácuea por más de 10 segundos a menos que esté totalmente sumergida en agua. Al no estar totalmente sumergido, el conjunto de la lámpara se pondrá sumamente caliente con graves quemaduras o rotura de la lámpara o del lente. Ello podría provocar lesiones graves para quienes utilizan la piscina, el instalador o las personas alrededor, o daños a la propiedad.

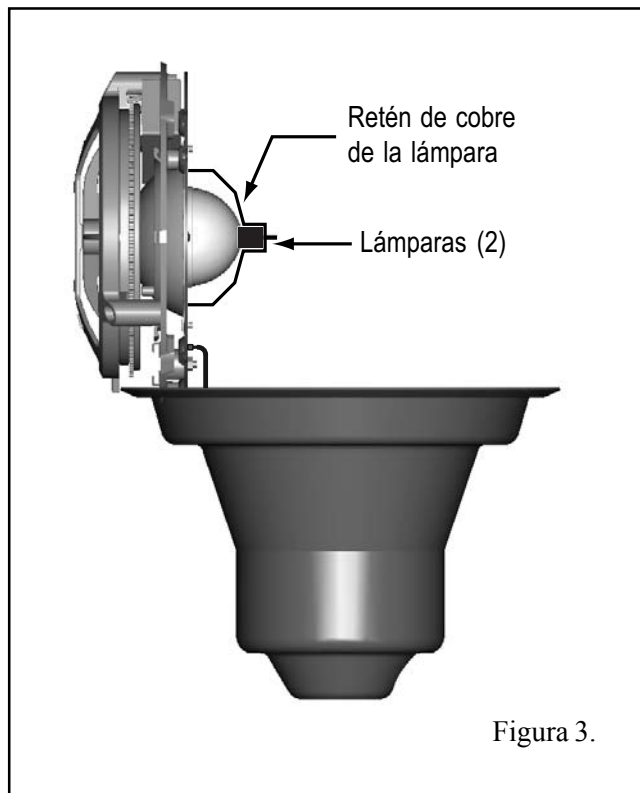
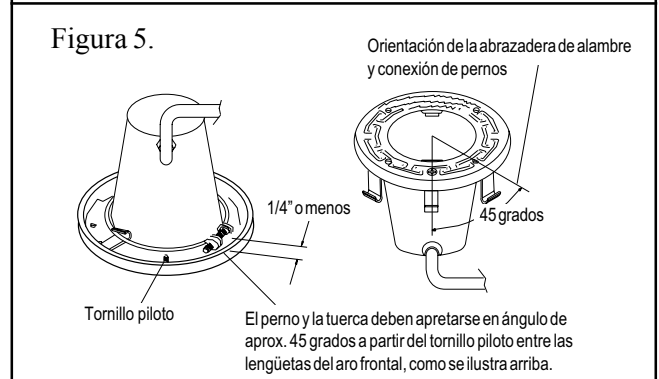
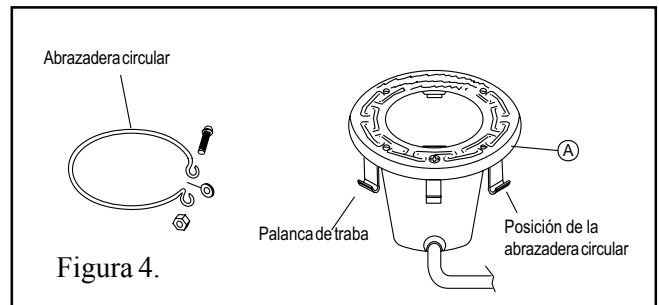


Figura 3.

9. Alinee el tornillo piloto especial del aro frontal con la letra “O” de la palabra “TOP” (parte superior) en la superficie del lente. El tornillo piloto, la “O” de “TOP” y el indicador blanco en el conjunto de la rueda de colores/lámpara deben estar alineados también con el conector de compresión del cable en la parte posterior en alto del artefacto de iluminación.
10. Alinee el tornillo piloto especial del aro frontal con la letra “O” de la palabra “TOP” (parte superior) en la superficie del lente. El tornillo piloto, la “O” de “TOP” y el indicador blanco en el conjunto de la rueda de colores/lámpara deben estar alineados también con el conector de compresión del cable en la parte posterior en alto del artefacto de iluminación.
11. Sujete el aro en el artefacto de iluminación. Vea la Sección VI, Instrucciones para el montaje del aro frontal de acero inoxidable.
12. Vuelva a colocar el conjunto de iluminación en el nicho y apriete el tornillo piloto especial.



⚠ ADVERTENCIA

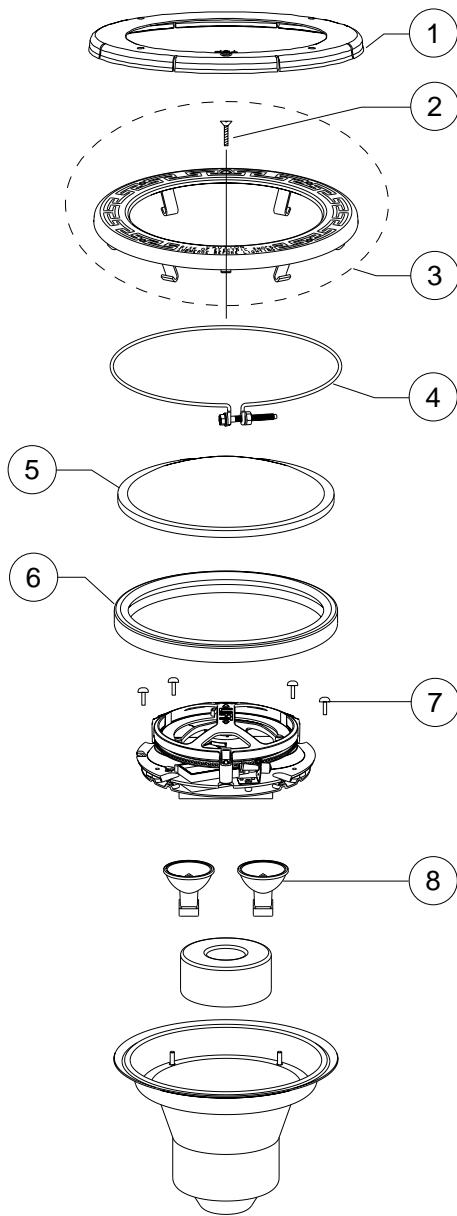
Utilice únicamente el tornillo piloto especial que se suministra con esta lámpara subacuática. Este tornillo sirve para montar y conectar eléctricamente a tierra el alojamiento de manera firme con el aro de montaje y el nicho en húmedo. Al no utilizar el tornillo suministrado pueden producirse peligros eléctricos con la consiguiente muerte o lesiones graves de los usuarios de la piscina, el instalador o demás personas debido a descarga eléctrica.

13. Antes de hacer funcionar la lámpara por más de 10 segundos, llene la piscina hasta que la lámpara subacuática esté totalmente sumergida en agua. Para verificar el funcionamiento correcto, active el interruptor principal o el disyuntor, así como también el interruptor que acciona la lámpara subacuática misma. Para la prueba funcional completa, consulte la Sección IV, Instrucciones de funcionamiento.

Sección VI. Instrucciones para el montaje del aro frontal de acero inoxidable

1. Reemplace la guarnición del lente. DEBE UTILIZARSE SIEMPRE UNA GUARNICION DELENTE NUEVA TODAS LAS VECES QUE SE VUELVE A ARMAR LA LAMPARA.
2. Con la lámpara apoyada sobre su base, coloque el conjunto de lente/guarnición en el artefacto de iluminación y posicione de manera que el indicador blanco en el conjunto de la rueda de colores/lámpara apunte a la “O” de la palabra “TOP” en la superficie del lente. Vea la Figura 2.
3. Alinee el tornillo piloto especial del aro frontal con la letra “O” de la palabra “TOP” (parte superior) en la superficie del lente. El tornillo piloto, la “O” de “TOP” y el indicador blanco en el conjunto de la rueda de colores/lámpara deben estar alineados también con el conector de compresión del cable en la parte posterior en alto del artefacto de iluminación.
4. Con los extremos curvos de la abrazadera circular unitensión apuntando hacia abajo, abra la abrazadera y colóquela en los huecos “U” de las palancas de traba. Asegúrese de que los extremos curvos de la abrazadera se encuentren entre el par de palancas de traba como se ilustra en la Figura 4, ubicación A. Verifique que la abrazadera esté correctamente enganchada con todas las palancas.
5. Gire la lámpara de manera que quede apoyada sobre el lente. Apriete el tornillo y la tuerca hasta que los extremos se encuentren a una distancia de 1/4 pulgada o menos de la abrazadera; vea la Figura 5.

Sección VII. Pieza de repuesto Spectrum Amerlite® (SAm®)



Artículo No.	No. de cat.	Descripción
1	79212100	Aro frontal grande, de plástico, a presión, blanco
1	79212165	Aro frontal grande, de plástico, a presión, gris
1	79212111	Aro frontal grande, de plástico, a presión, negro
2	79104800	Tornillo piloto con arandela de retención de goma, bronce
2	619355	Tornillo piloto con arandela de retención de goma, S/S
3	79110600	Conjunto de aro frontal, S/S
4	79111000	Conjunto de abrazadera con alambre unitensión
5	619385	Lente, estándar SAm
6	79101600	Guarnición, para lente de 8-3/8 pulg.
7	619487	Tuerca de retención
8	79112400	Lámpara de 75 W, EYC, MR-16
8	619352	Lámpara de 35 W, FMW, MR-16

NO FUE MOSTRADO

619489	Ensamble del filtro de colores
619495	Motor con engrane del filtro de colores

NOTA

SAm de 120 V tienen un transformador de 12 V integrado. Todas las **SAm** utilizan lámpara de 12 V.

GUARDE ESTAS INSTRUCCIONES.

© 2007 Pentair Water Pool and Spa, Inc. Todos los derechos reservados.

1620 Hawkins Ave., Sanford, NC 27330 • (800) 831-7133 or (919) 566-8000
10951 West Los Angeles Ave., Moorpark, CA 93021 • (800) 831-7133 or (805) 553-5000

Este documentos está sujeta a cambios sin previo aviso.



Manuel du propriétaire - Luminaire sous-marin en couleurs

SAm[®] **Spectrum Amerlite[®]**

IMPORTANTES CONSIGNES DE SÉCURITÉ
LISEZ ET OBSERVEZ TOUTES LES CONSIGNES
CONSERVEZ CES CONSIGNES EN LIEU SÛR

Patent 7,097,329

Patent 7,128,440



Conforme aux normes

Table des matières

Section I.	Installation du luminaire pendant la construction d'une piscine nouvelle	21
Section II.	Remplacement du luminaire sur une piscine existante	22
Section III.	Options de connexion des interrupteurs pour la synchronisation des couleurs Spectrum Amerlite	23
Section IV.	Fonctionnement du luminaire SAm	24
Section V.	Remplacement des ampoules seulement	24
Section VI.	Assemblage de la bague inox extérieure	26
Section VII.	Pièces de rechange pour le luminaire Spectrum Amerlite (SAm)	27

{P/N 600051} - Pour opérer uniquement avec un transformateur isolant de sécurité.

DANGER



Risque de décharge électrique ou d'électrocution

Ce luminaire sous-marin doit obligatoirement être installé par un électricien agréé ou qualifié, conformément au Code national d'électricité et à tous les codes et règlements locaux en vigueur. Toute mauvaise installation crée un danger électrique pouvant causer la mort par décharge électrique ou des blessures graves aux utilisateurs, à l'installateur ou à des tiers, et pouvant également provoquer des dégâts matériels. Lisez et observez les consignes spécifiques ci-dessous.

AVERTISSEMENT

Avant d'installer ce produit, lisez et observez tous les avertissements et consignes qui accompagnent ce luminaire. Tout manquement aux avertissements et consignes de sécurité peut entraîner des blessures graves, la mort ou des dégâts matériels. Pour obtenir gratuitement des exemplaires supplémentaires de ce manuel, appelez le (805) 553-5000.

Avis important



Avis à l'installateur :

Le présent manuel comprend des renseignements importants pour l'installation, la mise en marche et l'utilisation sans danger de ce produit. Ces renseignements doivent être transmis au propriétaire ou à la personne responsable de l'opération de cet équipement.

Pentair Water Pool and Spa, Inc.

1620 Hawkins Ave., Sanford, NC 27330 • (800) 831-7133 ou (919) 566-8000

10951 West Los Angeles Ave., Moorpark, CA 93021 • (800) 831-7133 ou (805) 553-5000

Venez nous voir sur l'Internet à: www.pentairpool.com et www.staritepool.com



Pentair Water
Pool and Spa[™]

⚠ DANGER! Risque de décharge électrique ou d'électrocution!



Ce produit doit être installé par un électricien agréé ou qualifié ou un technicien spécialisé, conformément au Code National d'Electricité et à tous les codes et règlements locaux en vigueur. Toute mauvaise installation crée un danger électrique pouvant causer la mort ou des blessures graves - par décharge électrique - aux utilisateurs, aux installateurs ou à des tiers, et pouvant également provoquer des dégâts matériels. Avant de commencer l'entretien du luminaire, veuillez toujours couper le courant électrique du luminaire au niveau du disjoncteur. Le non-respect de cette consigne peut entraîner la mort ou des blessures graves par décharge électrique pour le technicien, les utilisateurs ou des tiers. **VEUILLEZ LIRE ET OBSERVER TOUTES LES CONSIGNES DE CE GUIDE.**

⚠ AVERTISSEMENT — Importantes consignes de sécurité pour l'installation du luminaire et de la niche Pentair

- Toutes les installations de niche et de luminaire doivent être faites conformément à tous les codes. Si les codes locaux exigent un joint d'étanchéité à cordon, veuillez utiliser les niches en plastique Pentair (P/N 79206600 et P/N 79206700).
- Ne tenter en aucun cas de remplacer les luminaires en épissant les câbles sous l'eau ou derrière la niche.

⚠ AVERTISSEMENT — RISQUE DE DÉCHARGE ÉLECTRIQUE OU DE BLESSURE. UTILISEZ UNIQUEMENT LA MÉTHODE D'INSTALLATION SPÉCIFIÉE CI-DESSOUS.

Importantes consignes de sécurité pour l'installation d'un appareil d'éclairage pour fontaine

Emplacement/Utilisation du Luminaire (lumière)	Luminaire pour Fontaine Pentair* (P/N 560000 – P/N 560001) (P/N 560002 – P/N 560003)	Méthode d'Installation Requise
Piscine ou spa	Luminaire (lumière) pour niche étanche pour piscine (ou spa)	Bâti de luminaire (coque) SEULEMENT. NE PAS UTILISER le support pour fontaine.
Fontaine	Luminaire (lumière) pour niche submersible de pour piscine (ou spa)	Bâti de luminaire (coque) ou support luminaire pour fontaine.

(*) Remarque : Les luminaires pour niches étanches se conformant aux règlements pour les deux applications peuvent porter la marque UL listée pour les luminaires pour niches étanches pour piscine (ou spa) ainsi que pour les luminaires pour niches submersibles. Un luminaire ne portant pas la marque UL listée correspondante n'est pas considéré comme ayant été produit conformément aux normes de la marque UL listé et au service de suivi de la production UL pour cet emplacement.

© 2007 Pentair Water Pool and Spa, Inc. Tous droits réservés.

1620 Hawkins Ave., Sanford, NC 27330 • (800) 831-7133 ou (919) 566-8000
10951 West Los Angeles Ave., Moorpark, CA 93021 • (800) 831-7133 ou (805) 553-5000



Ce document est sujet à tous changements sans préavis.

Marque de commerce et avis de non responsabilité: Pentair Water Pool and Spa, **SAm** et Spectrum Amerlite sont des marques de commerce de Pentair Water Pool and Spa, Inc. Les autres marques ou dénominations commerciales utilisées dans ce document pour faire référence aux entités se réclamant de ces marques ou dénominations ou à leurs produits sont la propriété de leurs détenteurs respectifs. Pentair Water Pool and Spa, Inc. déclare n'avoir aucun intérêt dans les marques et noms de produits autres que les siens.

Section I. Installation du luminaire pendant la construction d'une piscine nouvelle

A. Étapes préliminaires à accomplir par l'électricien avant l'installation du luminaire (voir figure 1).

1. Vérifiez que la piscine est conforme au Code national d'électricité en vigueur et à tous les codes et règlements locaux. Les circuits électriques doivent avoir été installés par un électricien agréé ou qualifié afin d'être en conformité avec ces normes, voire de les surpasser, avant l'installation du luminaire. Voici quelques unes des normes du Code national d'électricité que les circuits électriques de la piscine doivent respecter :

- a. Le circuit d'éclairage comprend un disjoncteur de fuite de terre et un disjoncteur principal convenablement calibré (pour les trait tension modèles).
- b. La boîte de raccordement (ou, pour les modèles à 12 Volts, le transformateur à basse tension) est situé(e) à une hauteur d'au moins 20 cm au-dessus du niveau d'eau maximal de la piscine et à une distance d'au moins 1 m 20 du bord de la piscine (voir figure 1).
- c. Le dispositif luminaire et tous les objets métalliques situés dans un rayon de 1 m 50 autour de la piscine sont convenablement connectés à un circuit régulateur de tension.
- d. La niche submersible doit être installée convenablement, de telle manière que le trou de la vis soit à 12 heures et que le rebord supérieur de la lentille du luminaire soit à une profondeur d'au moins 45 cm en-dessous de la surface de l'eau dans la piscine (voir Figure 1). (Pour le Canada : la profondeur ne doit pas dépasser 50 cm / 20 pouces.)

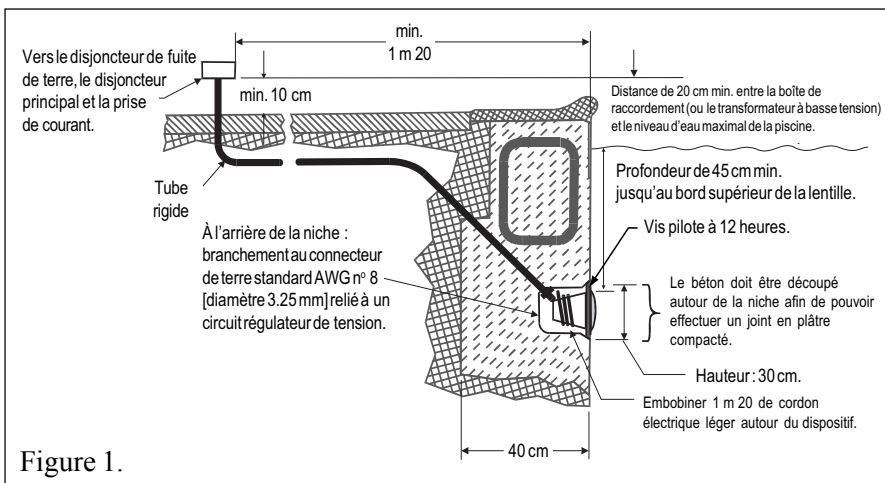


Figure 1.

REMARQUE

La position requise de tous les luminaires Pentair est d'avoir la vis pilote à 12 heures. Ceci est garanti par l'installation correcte de la niche.

- e. La niche sous-marine est convenablement connectée à un circuit régulateur de tension et à une prise de terre par l'intermédiaire du connecteur de terre standard AWG n° 8 [» diamètre 3,25 mm] situé à l'arrière de la niche (voir figure 1).

REMARQUE

Les circuits électriques de la piscine ou du bain à jet propulsé peuvent être testés à l'aide d'un kit de vérification électrique pour piscines et bains. Ce kit de vérification peut être obtenu auprès de Pentair Water Pool and Spa, Inc. L'inspection des circuits avec ce kit doit obligatoirement être accomplie par un personnel compétent et qualifié.

2. Pour s'assurer que les circuits électriques de la piscine sont conformes à toutes les normes en vigueur, l'électricien doit également consulter l'instance locale responsable des travaux de construction.
 3. Pour garantir que les connexions aux circuits régulateurs de tension et aux prises de terre sont effectuées de manière convenable, utilisez uniquement les niches sous-marines Pentair Water Pool and Spa, Inc., American Products ou Purex.
- ### B. Étapes à accomplir après s'être assuré que les circuits électriques sont conformes aux normes en vigueur.
1. Faites passer le cordon électrique dans le tube jusqu'à la boîte de raccordement en laissant au moins 1 m 20 de cordon à embobiner autour du dispositif luminaire (voir figure 1). Cette longueur de cordon supplémentaire permettra l'entretien du dispositif luminaire après le remplissage de la piscine.
 2. Coupez le cordon électrique au niveau de la boîte de raccordement, en laissant au moins 15 cm de cordon supplémentaire pour effectuer les branchements.
 3. Dénudez le cordon de sa gaine extérieure sur un segment de 15 cm afin d'exposer les trois fils isolés ; prenez garde de ne pas endommager l'isolation des trois fils intérieurs.
 4. Connectez les trois fils aux fils correspondants du circuit dans la boîte de raccordement et remettez en place le couvercle de la boîte de raccordement.

AVERTISSEMENT

N'allumez jamais ce luminaire sous-marin pendant plus de 10 secondes s'il n'est pas totalement immergé dans l'eau. Sans une immersion totale, le luminaire chauffera de manière excessive, ce qui peut provoquer des brûlures graves ou l'explosion de l'ampoule ou de la lentille. Ceci peut entraîner des blessures graves pour les utilisateurs, les installateurs ou tout spectateur, ainsi que des dégâts matériels.

5. Remettez le dispositif lumineux en place dans la niche et serrez la vis pilote spéciale.

⚠️ AVERTISSEMENT

Utilisez uniquement la vis pilote spéciale fournie dans l'emballage de ce luminaire sous-marin. Cette vis sert à fixer de manière sûre, tout en le connectant à la terre, le boîtier du luminaire à la bague de montage et à la niche sous-marine. La non-utilisation de la vis fournie peut créer un danger électrique pouvant entraîner la mort ou des blessures graves par décharge électrique aux utilisateurs, aux installateurs ou à des tiers.

6. Remplissez la piscine jusqu'à ce que le luminaire sous-marin soit totalement immergé dans l'eau avant de l'allumer pendant plus de 10 secondes. Pour vérifier le bon fonctionnement du luminaire, allumez l'interrupteur ou le disjoncteur principal, ainsi que l'interrupteur qui commande le luminaire lui-même. Pour un test de fonctionnement complet, voir Section IV, "Fonctionnement du luminaire *SAm*[®]".

Section II. Remplacement du luminaire sur une piscine existante

⚠️ DANGER

Risque de décharge électrique ou d'électrocution.



Ce luminaire sous-marin doit obligatoirement être installé par un électricien agréé ou qualifié, conformément au Code national d'électricité et à tous les codes et règlements locaux en vigueur. Toute mauvaise installation crée un danger électrique pouvant causer la mort par décharge électrique ou des blessures graves aux utilisateurs, à l'installateur ou à des tiers, et pouvant également provoquer des dégâts matériels.

Avant de commencer l'entretien du luminaire, coupez toujours le courant électrique du luminaire au niveau du disjoncteur. Tout manquement à cette consigne peut entraîner la mort ou des blessures graves par décharge électrique pour le réparateur, les utilisateurs ou des tiers.

A. Avant de remplacer le luminaire :

1. Vérifiez que la piscine est conforme au Code national d'Électricité en vigueur et à tous les codes et règlements locaux. Les circuits électriques doivent avoir été installés par un électricien agréé ou qualifié afin d'être en conformité avec ces normes, voire de les surpasser, avant l'installation du luminaire. Voici quelques unes des normes du Code national d'électricité que les circuits électriques de la piscine doivent respecter :
 - a. Le circuit d'éclairage comprend un disjoncteur de fuite de terre et un disjoncteur principal convenablement calibré.
 - b. La boîte de raccordement (ou, pour les modèles à 12 Volts, le transformateur à basse tension) est situé(e) à une hauteur d'au moins 20 cm au-dessus du niveau du sol et à une distance d'au moins 1 m 20 du bord de la piscine (voir figure 1).
 - c. Le dispositif lumineux et tous les objets métalliques situés dans un rayon d'1 m 50 autour de la piscine sont convenablement connectés à un circuit régulateur de tension.
 - d. La niche sous-marine est convenablement installée, de telle manière que le bord supérieur de la lentille du luminaire sous-marin est à une profondeur d'au moins 45 cm en-dessous de la surface de l'eau dans la piscine (voir Figure 1).
 - e. La niche sous-marine est convenablement connectée à un circuit régulateur de tension et à une prise de terre par l'intermédiaire du connecteur de terre standard AWG n° 8 [» diamètre 3,25 mm] situé à l'arrière de la niche (voir figure 1).

REMARQUE

Les circuits électriques de la piscine ou du bain à jet propulsé peuvent être testés à l'aide d'un kit de vérification électrique pour piscines et bains. Ce kit de vérification peut être obtenu auprès de Pentair Water Pool and Spa, Inc. L'inspection des circuits avec ce kit doit obligatoirement être accomplie par un personnel compétent et qualifié.

2. Pour s'assurer que les circuits électriques de la piscine sont conformes à toutes les normes en vigueur, l'électricien doit également consulter l'instance locale responsable des travaux de construction.
3. Pour garantir que les connections au circuit régulateur de tension et à la terre sont effectuées de manière convenable, utilisez uniquement les niches sous-marines Pentair Water Pool and Spa, Inc., American Products ou Purex.

B. Remplacement du dispositif lumineux après vérification que les circuits électriques respectent les normes en vigueur :

⚠️ AVERTISSEMENT

La conformité des circuits électriques de la piscine avec les normes en vigueur doit être assurée avant l'installation du luminaire sous-marin. Toute négligence à cet égard engendrera un danger électrique pouvant entraîner la mort ou des blessures graves par décharge électrique aux utilisateurs, aux installateurs ou à des tiers.

1. Éteignez l'interrupteur ou le disjoncteur principal, ainsi que l'interrupteur qui commande le luminaire lui-même.
2. Pour retirer le dispositif luminaire, dévissez la vis pilote spéciale située dans la partie supérieure de la bague extérieure, retirez le dispositif de sa niche et placez-le sur la terrasse de la piscine.

AVERTISSEMENT

Prenez soin de conserver la vis pilote spéciale de ce luminaire. Cette vis sert à fixer de manière sûre, tout en le connectant à la terre, le boîtier du luminaire à la bague de montage et à la niche sous-marine. La non-utilisation de la vis fournie peut créer un danger électrique pouvant entraîner la mort ou des blessures graves par décharge électrique aux utilisateurs, aux installateurs ou à des tiers.

3. Retirez le couvercle de la boîte de raccordement, déconnectez les fils rattachés au dispositif luminaire et tirez le cordon électrique hors du tube.
4. Faites passer le nouveau cordon électrique à travers le tube, de la niche jusqu'à la boîte de raccordement.

REMARQUE

Il est possible que des outils spéciaux soient nécessaires pour faire passer le cordon électrique dans le tube, selon la longueur de celui-ci.

5. Laissez au moins 1 m 20 de cordon à embobiner autour du dispositif luminaire (voir figure 1). Cette longueur de cordon supplémentaire permettra l'entretien du dispositif luminaire après le remplissage de la piscine.
6. Coupez le cordon électrique au niveau de la boîte de raccordement, en laissant au moins 15 cm de cordon supplémentaire pour effectuer les branchements.
7. Dénudez le cordon de sa gaine extérieure sur un segment de 15 cm afin d'exposer les trois fils isolés ; prenez garde de ne pas endommager l'isolation des trois fils intérieurs.
8. Connectez les trois fils aux fils correspondants du circuit dans la boîte de raccordement (le fil noir à la source de courant, le fil blanc au fil neutre, le fil vert à la terre) et remettez en place le couvercle de la boîte de raccordement.

AVERTISSEMENT

N'allumez jamais ce luminaire sous-marin pendant plus de 10 secondes s'il n'est pas totalement immergé dans l'eau. Sans une immersion totale, le luminaire chauffera de manière excessive, ce qui peut provoquer des brûlures graves ou l'explosion de l'ampoule ou de la lentille. Ceci peut entraîner des blessures graves pour les utilisateurs, les installateurs ou tout spectateur, ainsi que des dégâts matériels.

9. Remettez le dispositif en place dans la niche et serrez la vis pilote spéciale.

AVERTISSEMENT

Utilisez uniquement la vis pilote spéciale fournie dans l'emballage de ce luminaire sous-marin. Cette vis sert à fixer de manière sûre, tout en le connectant à la terre, le boîtier du luminaire à la bague de montage et à la niche sous-marine. La non-utilisation de la vis fournie peut créer un danger électrique pouvant entraîner la mort ou des blessures graves par décharge électrique aux utilisateurs, aux installateurs ou à des tiers.

10. Remplissez la piscine jusqu'à ce que le luminaire sous-marin soit totalement immergé dans l'eau avant de l'allumer pour plus de 10 secondes. Pour vérifier le bon fonctionnement du luminaire, allumez l'interrupteur ou le disjoncteur principal, ainsi que l'interrupteur qui commande le luminaire lui-même. Pour un test de fonctionnement complet, voir Section IV, "Fonctionnement du luminaire *SAm*[®]".

Section III. Options de connexion des interrupteurs pour la synchronisation des couleurs entre plusieurs luminaires Spectrum Amerlite[®]

A. Plusieurs *SAm* TOUJOURS en couleurs synchronisées.

1. Si l'on souhaite avoir plusieurs *SAm* toujours allumés ou éteints ensemble et toujours en couleurs synchronisées, un interrupteur unique peut faire fonctionner tous les *SAm* dans la mesure où les normes en vigueur et la capacité des circuits électriques le permettent.

B. Plusieurs *SAm* avec commandes séparées mais avec possibilité de synchroniser les couleurs.

1. Si l'on souhaite allumer et éteindre plusieurs *SAm* séparément ou faire fonctionner leurs couleurs séparément, ils doivent être commandés par des interrupteurs différents. Pour faciliter la synchronisation des couleurs, il est conseillé de disposer les interrupteurs des différents *SAm* à proximité immédiate les uns des autres.

Section IV. Fonctionnement du luminaire *SAm*[®]

- A. Marche (ON) : *SAm* luminaires allume dans la couleur où il a été arrêté précédemment.
- B. 1ère séquence Arrêt/Marche (OFF/ON) : *SAm* avance rapidement jusqu'à la couleur blanche et s'arrête pendant 30 secondes maximum en attendant que les autres *SAm* se synchronisent. *SAm* commence ensuite à faire tourner son spectre de couleurs et continue à le faire jusqu'à la prochaine commande d'interrupteur.
- C. 2ème séquence Arrêt/Marche (OFF/ON) : *SAm* maintient la couleur affichée.
- D. Arrêt/Marche (OFF/ON) : Répète les étapes de fonctionnement de la 1ère séquence OFF/ON.
- E. Nouvelle séquence Arrêt/Marche (OFF/ON) : *SAm* maintient la couleur affichée.

REMARQUE

Si l'on préfère avoir plusieurs *SAm* fonctionnant en couleurs synchronisées, les consignes ci-dessus doivent être suivies simultanément sur tous les interrupteurs correspondants. Si l'on souhaite qu'ils fonctionnent avec des couleurs différentes, les interrupteurs doivent être actionnés séparément.

Section V. Remplacement des ampoules seulement (voir figure 2)

⚠ DANGER



Avant de commencer l'entretien du dispositif luminaire, coupez toujours le courant électrique du luminaire au niveau du disjoncteur. Tout manquement à cette consigne peut entraîner la mort ou des blessures graves par décharge électrique pour l'installateur, le réparateur, les utilisateurs ou des tiers.

- 1. Éteignez l'interrupteur ou le disjoncteur principal, ainsi que l'interrupteur commandant le luminaire lui-même.
- 2. Vous aurez besoin d'obtenir les pièces suivantes:
 - a. Un nouveau joint d'étanchéité pour la lentille (pièce n° 79101600).
 - b. Deux (2) ampoules (voir Tableau 1).

Tableau 1 : données techniques pour l'ampoule*

Voltage du luminaire	Voltage de l'ampoule	Puissance (Watts) de l'ampoule	Type d'ampoule	Pièce n°
120V	12V	75W	EYC	79112400
12V	12V	75W	EYC	79112400

*NOTE: Le *SAm* de 120V et celui de 12V utilisent le même type d'ampoule à 12 V.

⚠ AVERTISSEMENT

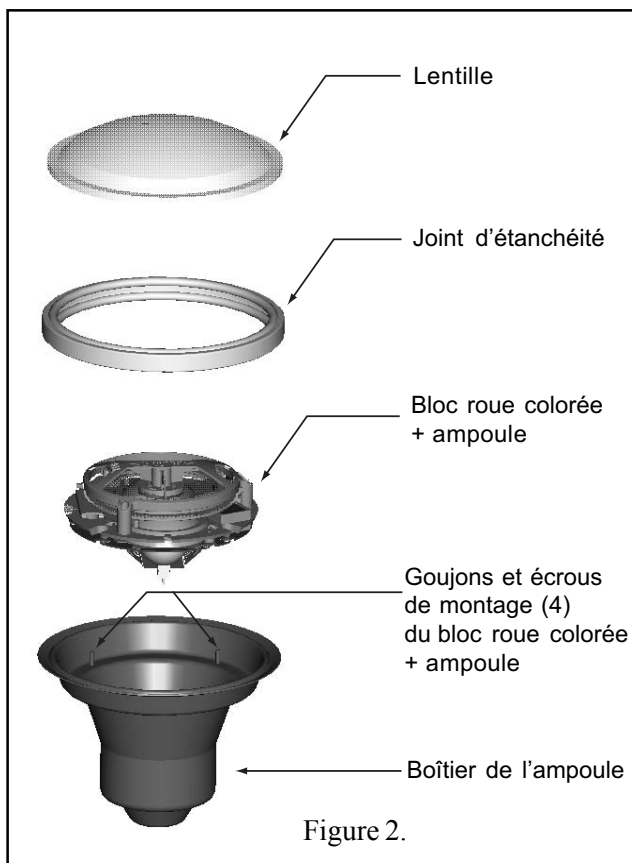
L'ampoule de remplacement doit être de même type et de même puissance que l'ampoule originale. Tout manquement à cette consigne entraînera des dégâts dans le dispositif luminaire, ce qui peut créer un danger électrique et entraîner la mort ou des blessures graves par décharge électrique pour les utilisateurs, les installateurs ou des tiers, et également causer des dégâts matériels.

⚠ AVERTISSEMENT

Posez toujours un nouveau joint d'étanchéité sur la lentille (pièce n° 79101600) chaque fois que vous démontez le luminaire. Tout manquement à cette consigne peut occasionner des fuites d'eau à l'intérieur du bloc ampoule, ce qui peut entraîner :

- (a) un danger électrique pouvant provoquer la mort ou des blessures graves par décharge électrique pour les utilisateurs, les installateurs ou des tiers, ou
- (b) l'explosion de l'ampoule ou de la lentille, pouvant de la même manière provoquer des blessures graves pour les utilisateurs, les installateurs ou les spectateurs, ou des dégâts matériels.

- 3. Pour retirer le dispositif luminaire, retirez la vis pilote spéciale dans la partie supérieure de la bague extérieure, retirez le dispositif de la niche et placez-le délicatement sur la terrasse. Il n'est pas nécessaire de mettre à sec la piscine.



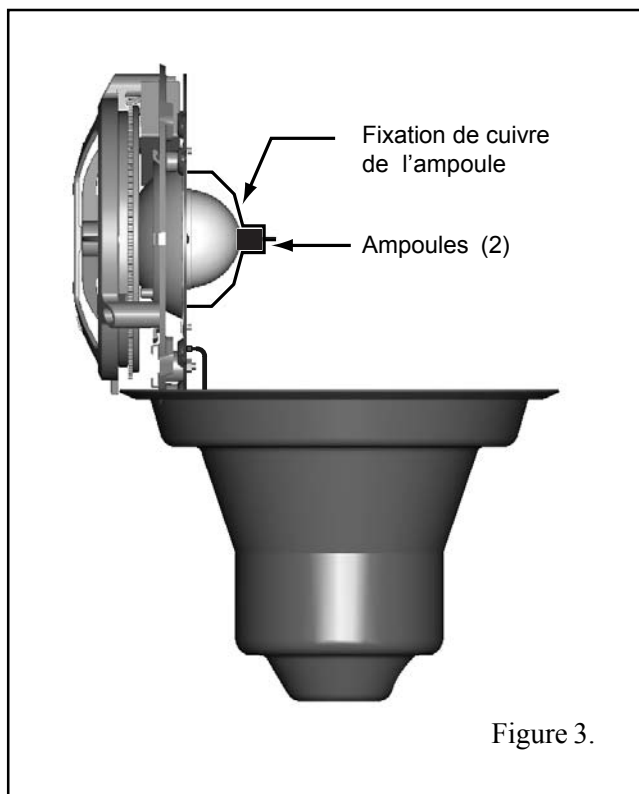
⚠️ AVERTISSEMENT

Prenez soin de conserver la vis pilote spéciale de ce luminaire. Cette vis sert à fixer de manière sûre, tout en le connectant à la terre, le boîtier du luminaire à la bague de montage et à la niche sous-marine. La non-utilisation de la vis fournie peut créer un danger électrique pouvant entraîner la mort ou des blessures graves par décharge électrique aux utilisateurs, aux installateurs ou à des tiers.

REMARQUE

Transformateur obligatoire sur les modèles à 12 Volts.

4. Démontez le dispositif lumineux et retirez l'ampoule.
 - a. Avec une pince de 0.6 cm (1/4 de pouce), ôtez les écrous de retenue de la plaque de l'ampoule et placez-les en lieu sûr (voir figure 3).
 - b. Soulevez le bloc roue colorée + ampoule pour dégager les boulons, puis relevez-le et arrêtez-le en position verticale afin de pouvoir accéder à l'ampoule (voir figure 3).
 - c. Pincez la fixation de l'ampoule à l'endroit indiqué, saisissez la douille blanche et faites glisser l'ampoule de manière à la faire sortir par le côté.
 - d. Saisissez la douille blanche et, en la poussant vers l'avant et vers l'arrière, ôtez-la des fiches de l'ampoule.
 - e. Répétez l'opération pour la deuxième ampoule. Remplacez toujours les deux ampoules au même moment.



⚠️ AVERTISSEMENT

Assurez-vous que le courant est COUPÉ avant d'installer ou de retirer une ampoule. Laissez refroidir l'ampoule avant de la remplacer. Ce luminaire utilise une ampoule au quartz halogène. NE PAS TOUCHER l'ampoule avec les doigts nus : cela pourrait sensiblement réduire sa durée de vie. Afin d'éviter toute trace de doigts sur l'ampoule, utilisez le plastique fourni dans l'emballage de l'ampoule de remplacement, un chiffon propre ou une serviette de papier.

5. Installez la (les) nouvelle(s) ampoule(s).
 - a. Enfoncez les ampoules dans les douilles blanches.
 - b. Pincez la fixation de cuivre de l'ampoule et glissez l'ampoule à l'intérieur par le côté.
 - c. Assurez-vous que l'ampoule est bien en contact avec la plaque de cuivre, entre les butées de guidage.
6. Retirez l'ancien joint d'étanchéité de la lentille et jetez-le.
7. Abaissez le bloc roue colorée + ampoule pour le remettre en place sur les 4 goujons du luminaire. Revissez les 4 boulons, sans les serrer excessivement.
8. Installez le nouveau joint d'étanchéité pendant le remontage du luminaire (pièce Pentair Water Pool and Spa, Inc. n° 79101600).

⚠️ AVERTISSEMENT

N'allumez jamais ce luminaire sous-marin pendant plus de 10 secondes s'il n'est pas totalement immergé dans l'eau. Sans une immersion totale, le luminaire chauffera de manière excessive, ce qui peut provoquer des brûlures graves ou l'explosion de l'ampoule ou de la lentille. Ceci peut entraîner des blessures graves pour les utilisateurs, les installateurs ou tout spectateur, ainsi que des dégâts matériels.

9. Alignez la vis pilote spéciale de la bague extérieure face à la lettre "O" du mot "TOP" sur la surface de la lentille. La vis pilote, la lettre "O" du mot "TOP" et l'indicateur blanc sur le bloc roue colorée + ampoule doivent également être alignés avec le raccord à compression du cordon situé sur la partie arrière supérieure du dispositif lumineux.
10. Alignez la vis pilote spéciale de la bague extérieure face à la lettre "O" du mot "TOP" sur la surface de la lentille. La vis pilote, la lettre "O" du mot "TOP" et l'indicateur blanc sur le bloc roue colorée + ampoule doivent également être alignés avec le raccord à compression du cordon situé sur la partie arrière supérieure du dispositif lumineux.

11. Vissez la bague sur le luminaire. Voir Section VI, Assemblage de la bague inox extérieure.
12. Remettez le dispositif en place dans la niche et serrez la vis pilote spéciale.

⚠ AVERTISSEMENT

Utilisez uniquement la vis pilote spéciale fournie dans l'emballage de ce luminaire sous-marin. Cette vis sert à fixer de manière sûre, tout en le connectant à la terre, le boîtier du luminaire à la bague de montage et à la niche sous-marine. La non-utilisation de la vis fournie peut créer un danger électrique pouvant entraîner la mort ou des blessures graves par décharge électrique aux utilisateurs, aux installateurs ou à des tiers.

13. Remplissez la piscine jusqu'à ce que le luminaire sous-marin soit totalement immergé dans l'eau avant de l'allumer pour plus de 10 secondes. Pour vérifier le bon fonctionnement du luminaire, allumez l'interrupteur ou le disjoncteur principal, ainsi que l'interrupteur qui commande le luminaire lui-même. Pour un test de fonctionnement complet, voir Section IV, "Fonctionnement du luminaire *SAm*[®]".

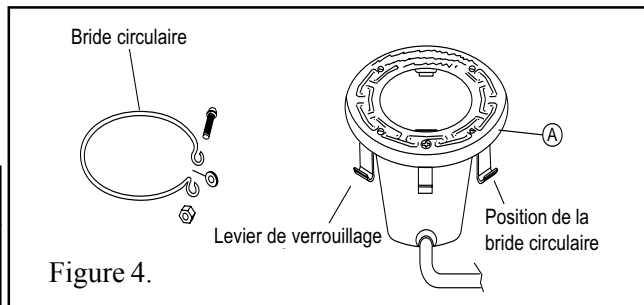


Figure 4.

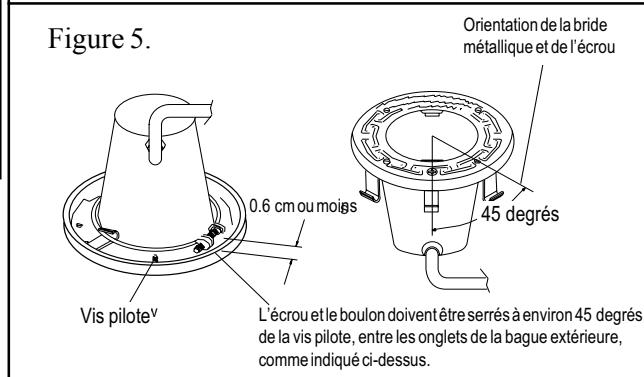
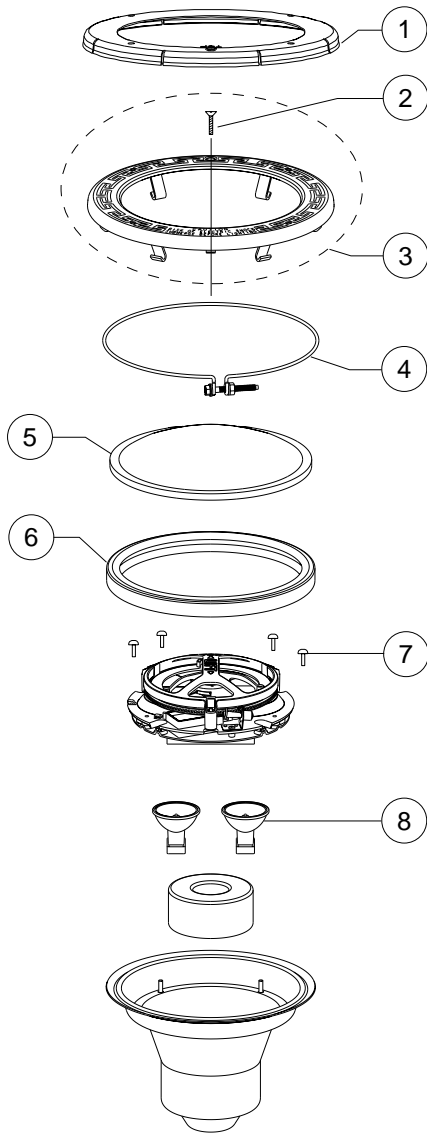


Figure 5.

Section VI. Assemblage de la bague inox extérieure

1. Remplacez le joint d'étanchéité de la lentille. UN NOUVEAU JOINT D'ÉTANCHÉITÉ DOIT ÊTRE POSÉ À CHAQUE NOUVEAU MONTAGE DU DISPOSITIF.
2. Le luminaire étant posé verticalement sur sa base, placez la lentille avec son joint d'étanchéité sur le luminaire et positionnez-la de telle manière que l'indicateur blanc sur le bloc roue colorée + ampoule soit dirigé vers la lettre "O" du mot "TOP" sur la surface de la lentille (voir figure 2).
3. Alignez la vis pilote spéciale de la bague extérieure face à la lettre "O" du mot "TOP" sur la surface de la lentille. La vis pilote, la lettre "O" du mot "TOP" et l'indicateur blanc sur le bloc roue colorée + ampoule doivent également être alignés avec le raccord à compression du cordon situé sur la partie arrière supérieure du dispositif luminaire.
4. Écartez les branches de la bride circulaire à tension uniforme, les extrémités recourbées étant dirigées vers le bas, et placez la bride dans les creux en "U" des leviers de verrouillage. Assurez-vous que les extrémités recourbées des branches de la bride sont situées entre deux leviers de verrouillage, comme indiqué dans la figure 4, point A. Vérifiez que la bride est bien enclenchée dans tous les leviers.
5. Retournez maintenant le luminaire et posez-le verticalement sur sa lentille. Serrez la vis et le boulon jusqu'à ce que la distance séparant les extrémités de la bride soit égale ou inférieure à 0.6 cm (voir figure 5).

Section VII. Pièces de rechange pour le luminaire Spectrum *Amerlite*® (*SAm*®)



Dessin

no	Pièce no	Description
1	79212100	Bague extérieure, large, plastique, à déclic, blanche
1	79212165	Bague extérieure, large, plastique, à déclic, grise
1	79212111	Bague extérieure, large, plastique, à déclic, noire
2	79104800	Vis pilote avec rondelle caoutchouc captive, laiton
2	619355	Vis pilote avec rondelle caoutchouc captive, inox
3	79110600	Bloc bague extérieure, inox
4	79111000	Bloc bride métallique à tension uniforme
5	619385	Lentille standard SAm
6	79101600	Joint d'étanchéité, pour lentille diamètre 21,27 cm
7	619487	Écrou, soutènement
8	79112400	Ampoule, 75 Watts, EYC, MR-16
8	619352	Ampoule, 35 Watts, FMW, MR-16

non illustré

619489	Assemblage Colorwheel [Roue Colorée]
619495	Moteur Colorwheel [Roue Colorée] à vitesses

NOTE

Les **SAm** à 120 Volts sont dotés d'un transformateur intégral à 12 Volts.
Tous les **SAm** utilisent une ampoule à 12 Volts.

CONSERVEZ CES CONSIGNES EN LIEU SÛR.

© 2007 Pentair Water Pool and Spa, Inc. Tous droits réservés.

1620 Hawkins Ave., Sanford, NC 27330 • (800) 831-7133 ou (919) 566-8000
10951 West Los Angeles Ave., Moorpark, CA 93021 • (800) 831-7133 ou (805) 553-5000

Ce document est sujet à tous changements sans préavis.

